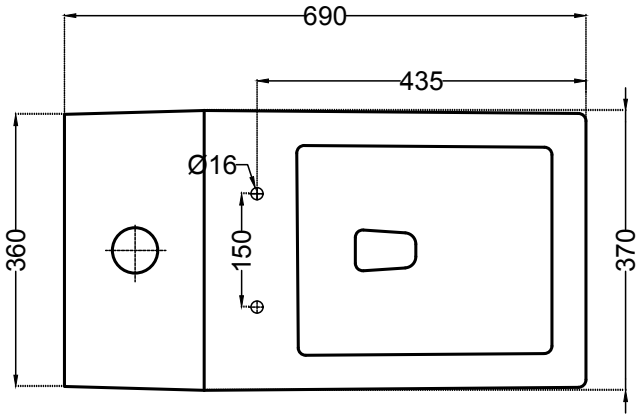
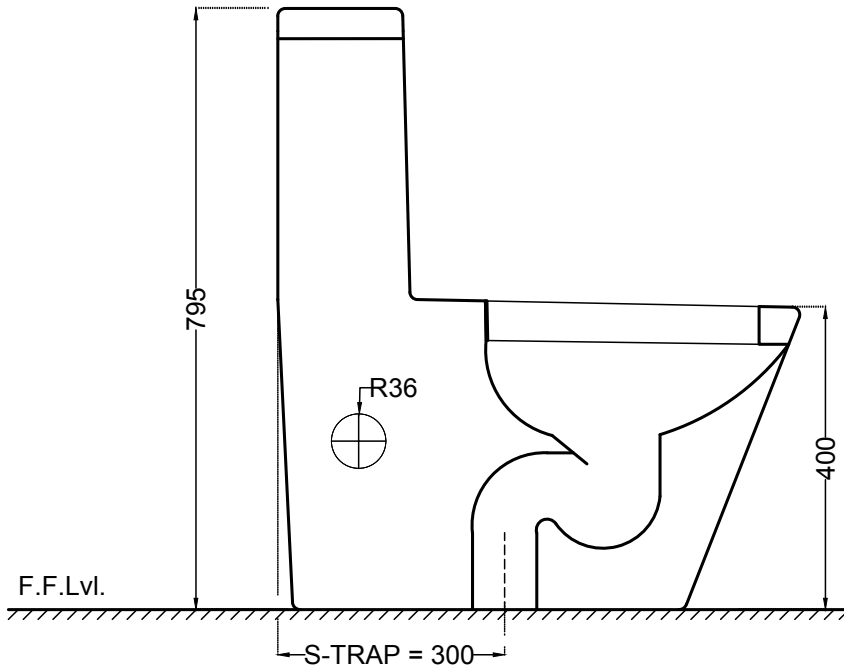


KUS-WHT-35851SN



TOP VIEW



SIDE VIEW

ALL DIMENSIONS ARE IN MM.
(TOLERANCE ± 5 MM)