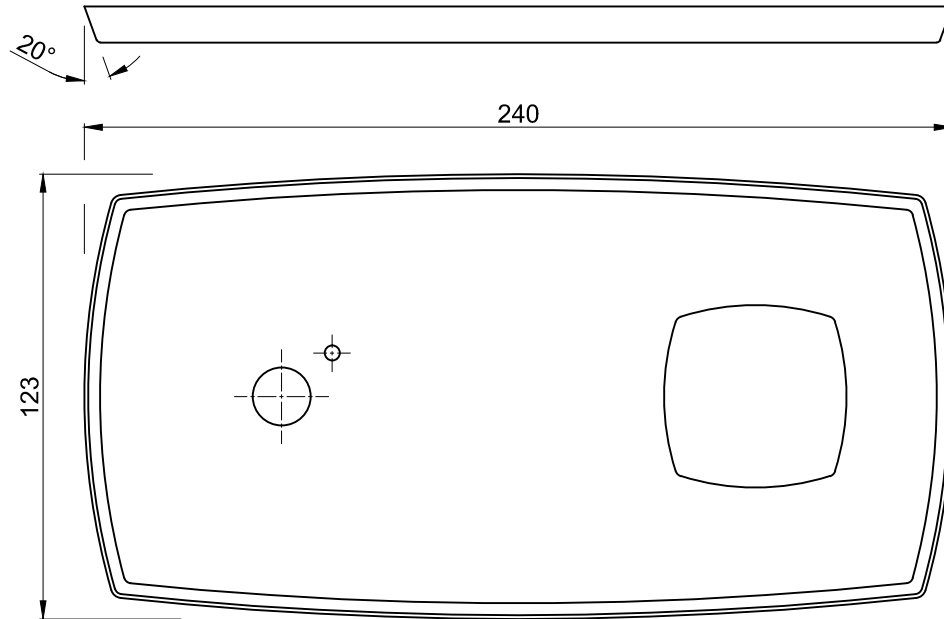
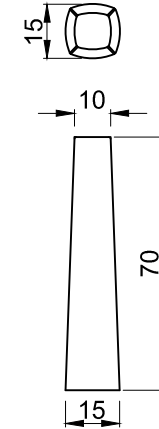


Exposed Part Kit of Joystick Basin Mixer Wall Mounted Consisting of Operating Lever, Wall Flange, Nipple & Spout
(Suitable For Item ARC-87233C)

Cat. No.-ARC-87233K



WALL FLANGE



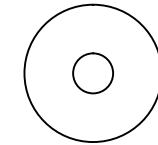
LEVER



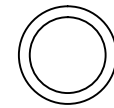
BALL



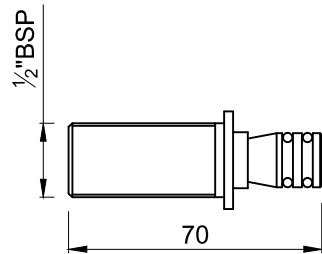
SPRING



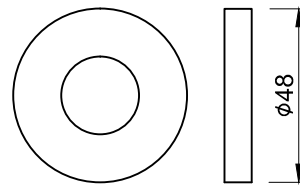
BRASS RING



TEFLON RING



SPOUT NIPPLE



SPOUT SPACER

