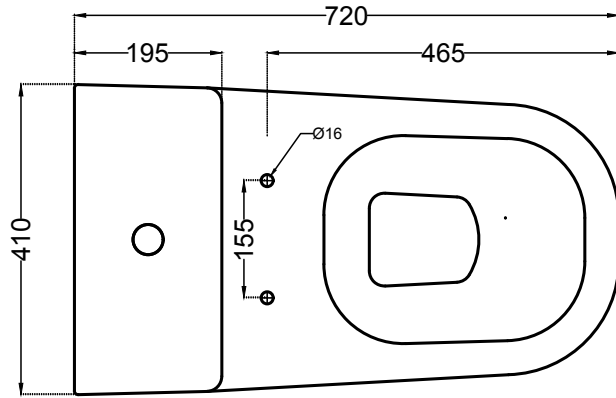
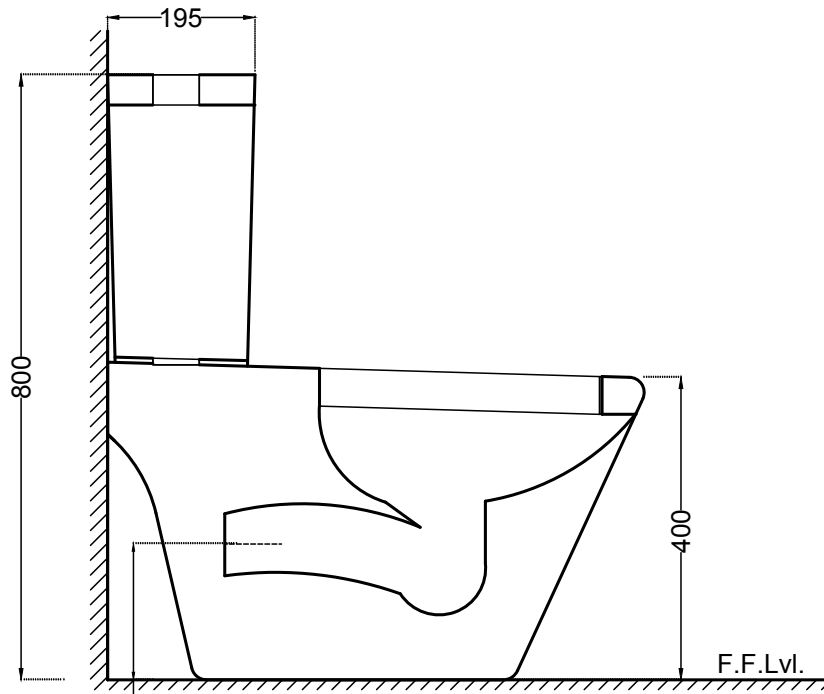


VGS-WHT-81751P+VGS-WHT81201

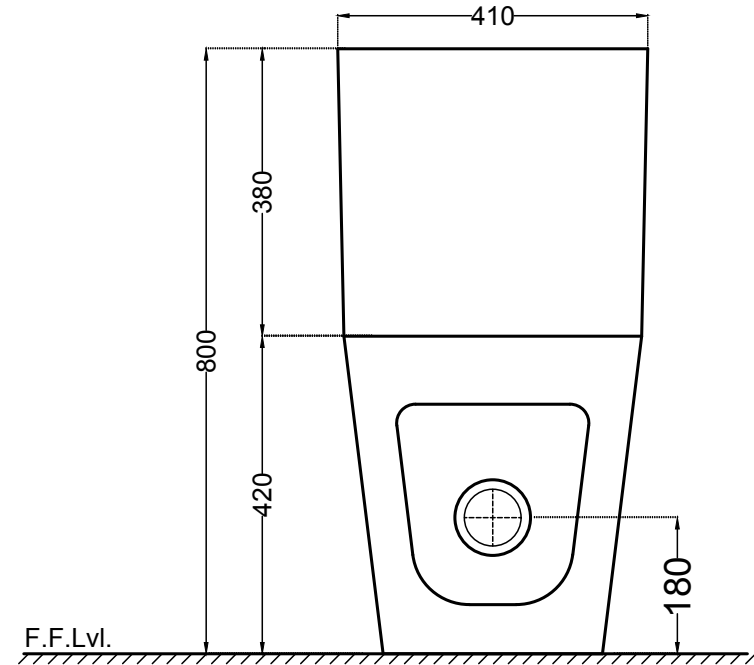


TOP VIEW



P-TRAP 180

SIDE VIEW



BACK VIEW

ALL DIMENSIONS ARE IN MM.
(TOLERANCE ± 5 MM)