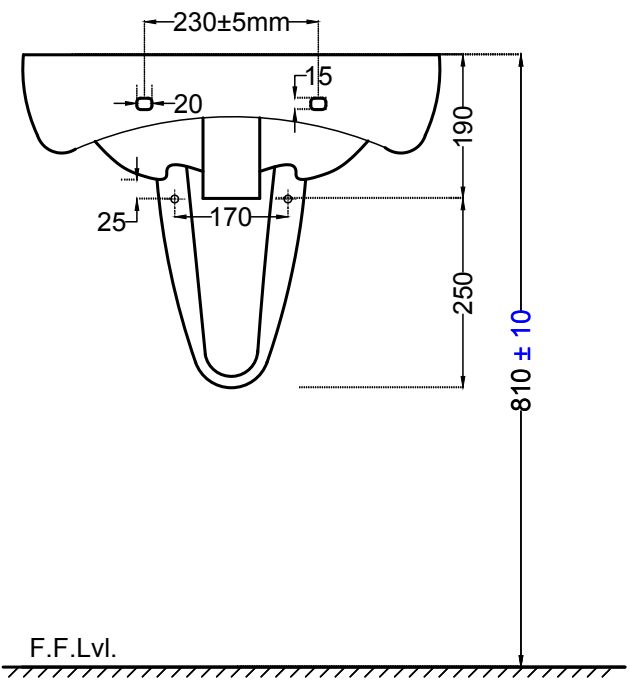
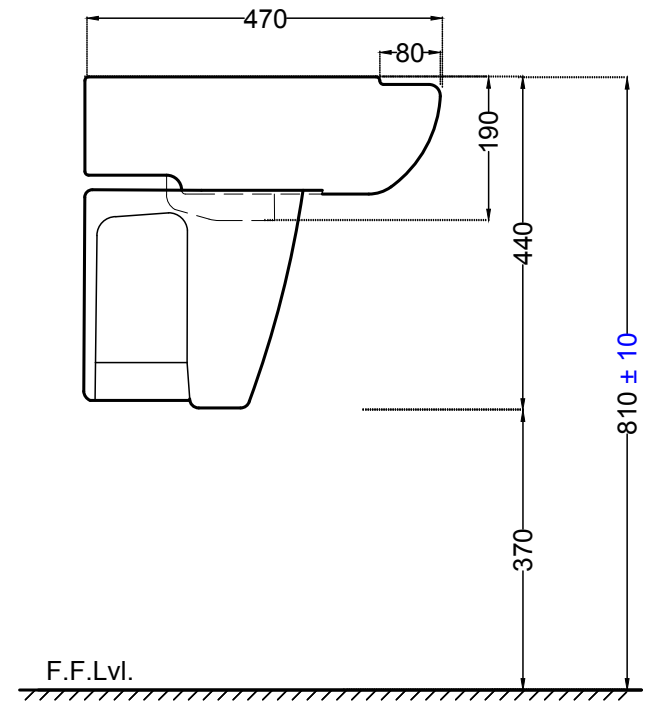


TOP VIEW



F.F.Lvl.

FRONT VIEW



SIDE VIEW

ALL DIMENSIONS ARE IN MM.
(TOLERANCE ± 5 MM)