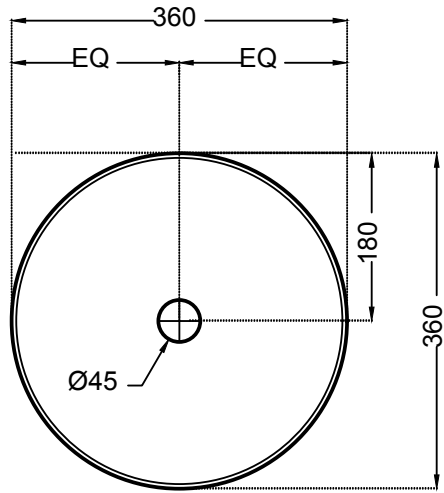
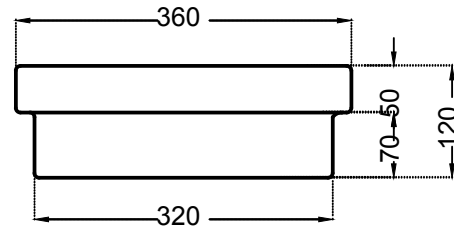


SLS-WHT-6905



TOP VIEW



FRONT VIEW

ALL DIMENSIONS ARE IN MM.  
(TOLERANCE  $\pm 5$  MM)