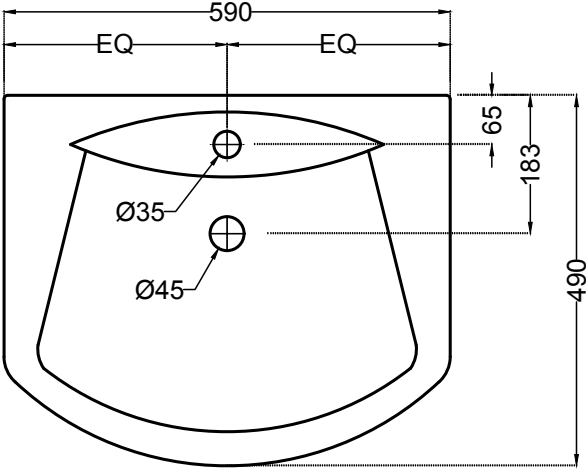
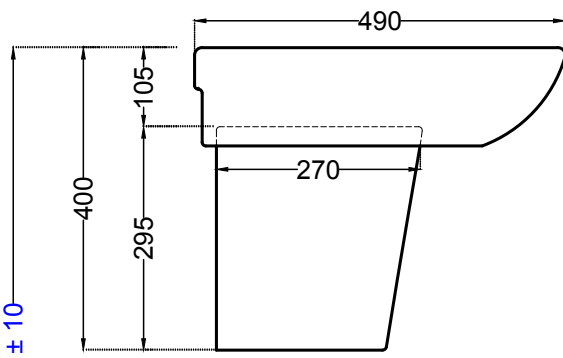


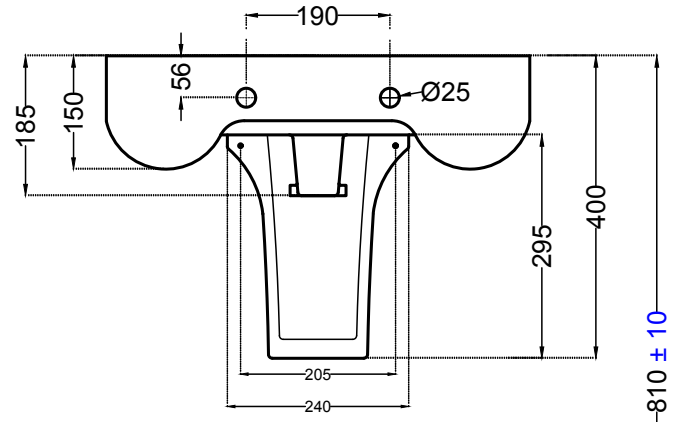
LYS-WHT-38801 + LYS-WHT-38305



TOP VIEW



FRONT VIEW



BACK VIEW

ALL DIMENSIONS ARE IN MM.
(TOLERANCE ± 5 MM)