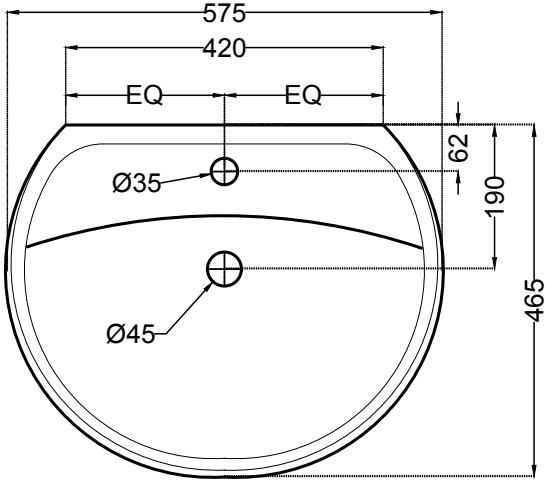
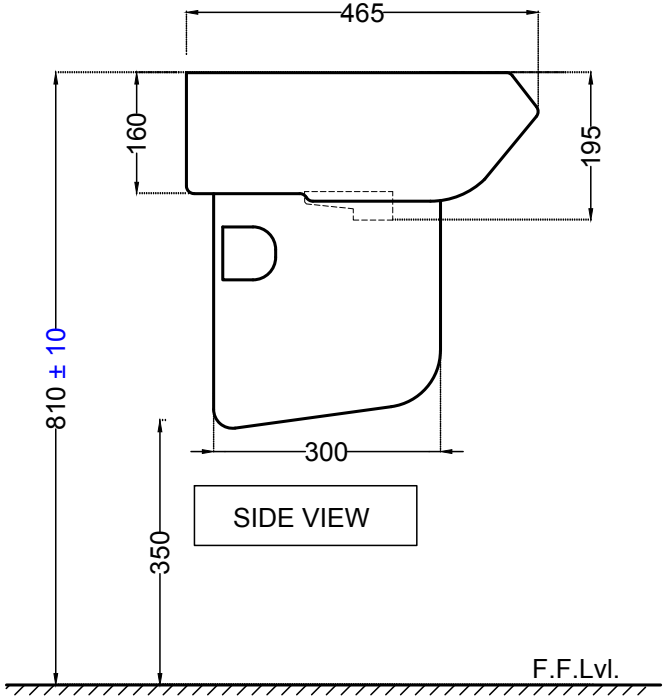


SLS-WHT-6801 + SLS-WHT-6305

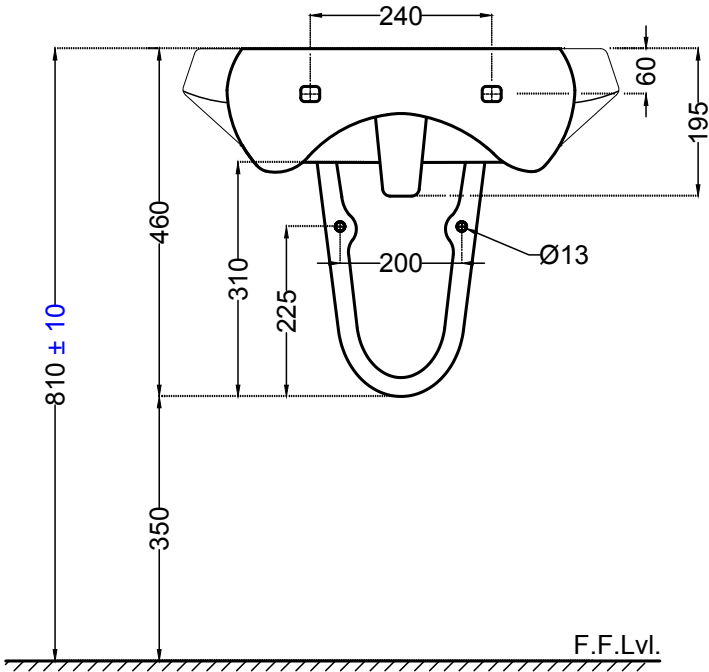


TOP VIEW



SIDE VIEW

SIDE VIEW



BACK VIEW

ALL DIMENSIONS ARE IN MM.
(TOLERANCE ± 5 MM)