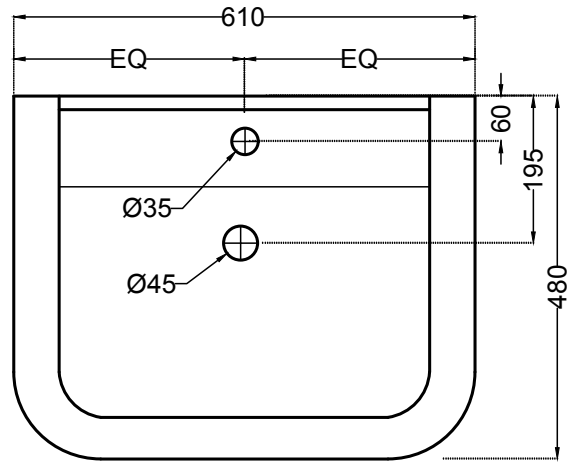
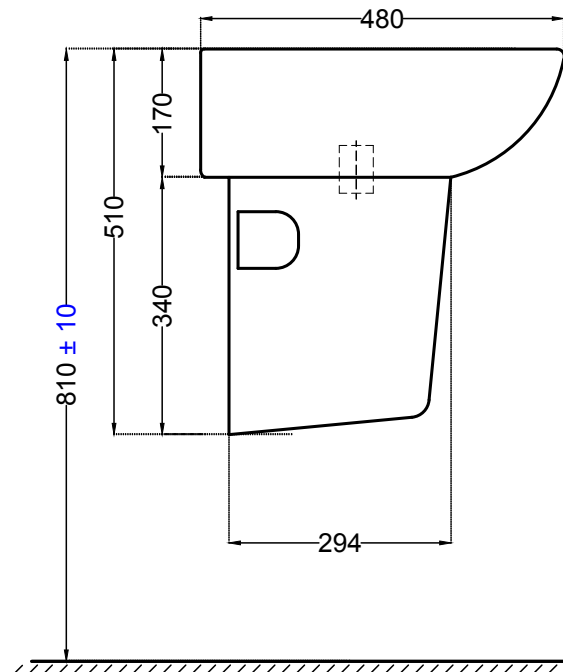


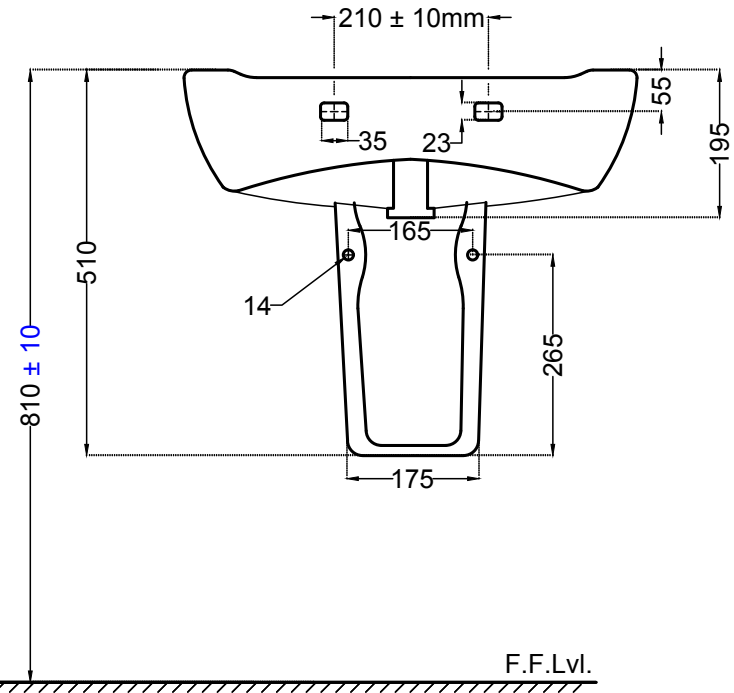
FNS-WHT-40801 +FNS+WHT+40305



TOP VIEW



SIDE VIEW



F.F.Lvl.

BACK VIEW

ALL DIMENSIONS ARE IN MM.
(TOLERANCE ± 5 MM)