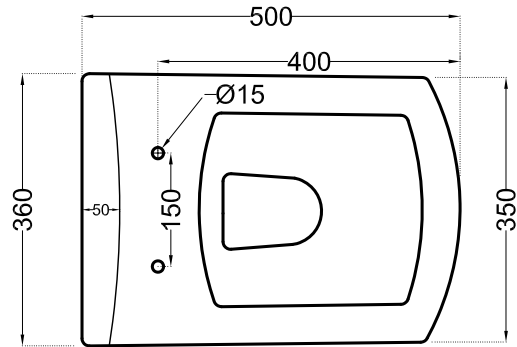
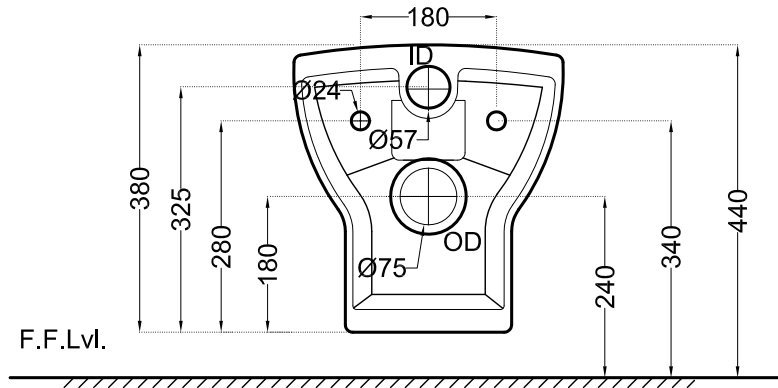


LYS-WHT-38951

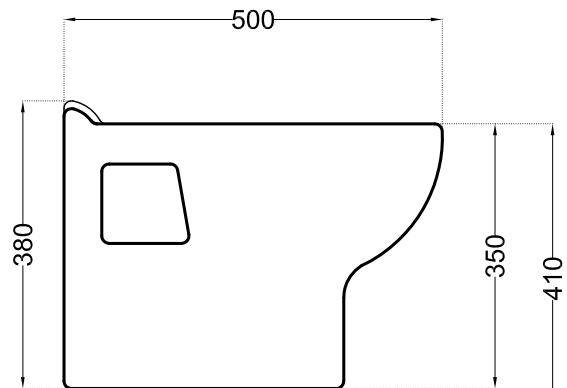


TOP VIEW



F.F.Lvl.

BACK VIEW



F.F.Lvl.

SIDE VIEW

ALL DIMENSIONS ARE IN MM.
(TOLERANCE ± 5 MM)