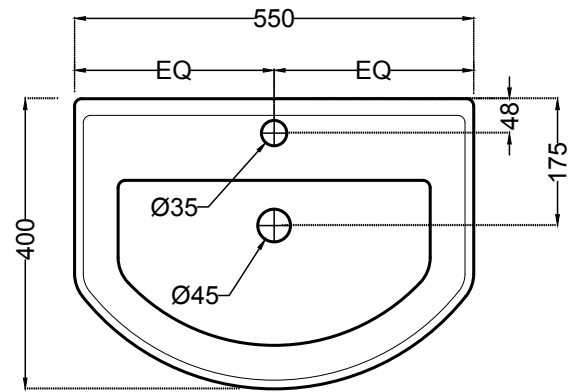
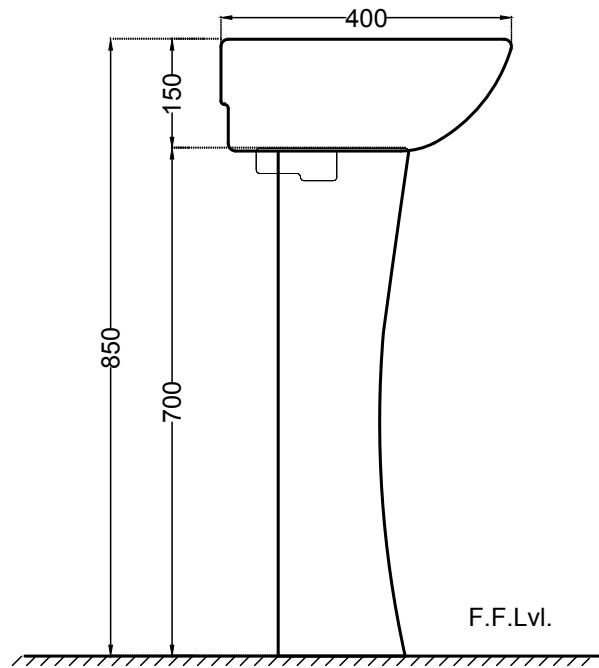


CNS-WHT-801+CNS-WHT-301

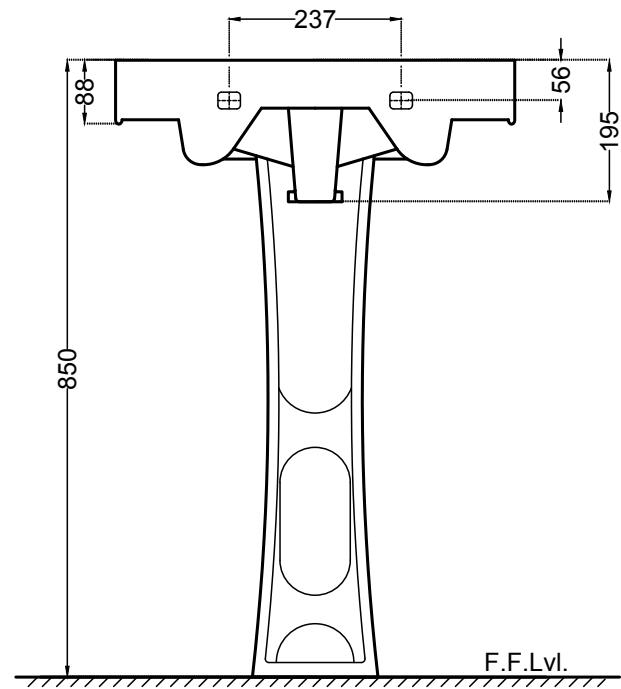


TOP VIEW



F.F.Lvl.

SIDE VIEW



F.F.Lvl.

BACK VIEW

ALL DIMENSIONS ARE IN MM.
(TOLERANCE ± 5 MM)