

**SPECIFICATION DATA SHEET**

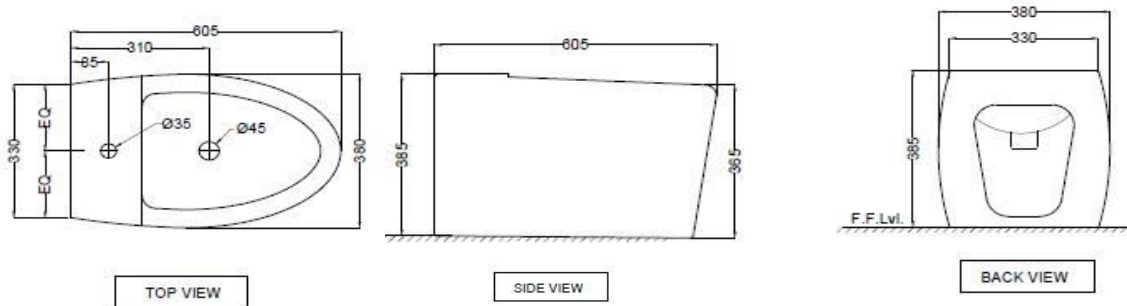
**PRODUCT DETAILS**

|                           |  |                    |                          |
|---------------------------|--|--------------------|--------------------------|
| <b>Manufacturer :</b>     | Jaquar   | <b>Type:</b>       | Bidet                    |
| <b>Range</b>              | Vignette   | <b>Material:</b>   | Ceramic - Vitreous China |
| <b>Colour:</b>            | White  | <b>BOM doc.NO.</b> | JSW/01/2018/0142         |
| <b>Technical Details:</b> | Tap hole dia. 35 $\varnothing$ +2 -1mm   |                    |                          |
|                           | ID of waste outlet hole 45 $\varnothing$ +2 -1 mm  |                    |                          |
|                           | Horizontal distance between the centre line of the tap hole and the centre line of the waste outlet hole $\leq$ 225 mm |                    |                          |

**ARTICLE NAME: BIDET**



**TECHNICAL DIMENSIONS**



ALL DIMENSIONS ARE IN MM.  
(TOLERANCE  $\pm$  5 MM)

**PRODUCT DIMENSIONS**

| Length (mm) | Width (mm) | Height (mm) | Net weight (kg) |
|-------------|------------|-------------|-----------------|
| 380         | 605        | 385         | 30.65           |

**USP**

Bidet with over flow hole, Anti germ glaze

**ACCESSORIES PROVIDED**

|                   |               |
|-------------------|---------------|
| Overflow hole cap | ZPS-WHT-9012B |
| Fixing screw      | ZPS-SNS-FB02  |

**CARE AND CLEANING GUIDELINES**

- ★ Vitreous china sanitary ware products are fragile in nature and need to be handled with care (to avoid personal injury) at all times during its storage, handling, installation and use thereafter.
- ★ The product is heavy and it is recommended that two persons hold it while it is being fixed.
- ★ Carefully inspect the new product for damage before installation.
- ★ Risk of product damage. Over tightening may cause breakage or chipping of vitreous china.
- ★ Risk of external leakage. Do not lift or rock the bowl after placement.
- ★ Always test your cleaning solution on an inconspicuous area on the product before applying it to the entire surface.
- ★ Do not allow cleaners to sit or soak on the product.
- ★ Use a soft, dampened sponge or cloth to clean. Never use abrasive material like a bristle brush or scouring pad.
- ★ Wipe surfaces clean and rinse completely with water immediately after applying cleaners.
- ★ Clean Chrome, stainless steel surfaces once a week. Do not use cleaners containing chloride on chrome, stainless steel. If used, rinse the surface immediately to prevent corrosion.
- ★ Wherever chrome plating is used on the products, use only warm water to clean and then dry with a soft cloth.

**CERTIFICATION**

Compliance : Technical dimensions are in accordance and EN 997: 202+A1:MS 1522:2015/CE  
All technical dimensions are in accordance to British standards, Bureau of Indian Standards



**PACKAGING DETAIL**

| Length (mm) | Width (mm) | Height (mm) | Gross Weight(kg) |
|-------------|------------|-------------|------------------|
| 620         | 390        | 410         | 32.1             |

**LOADING PALLET DETAIL**

| Length (mm) | Width (mm) | Height (mm) | no of pieces on pallet |
|-------------|------------|-------------|------------------------|
| 1140        | 1140       | 2285        | 16                     |



|                                 |                                  |                                |                                  |
|---------------------------------|----------------------------------|--------------------------------|----------------------------------|
| Prepared By<br>Designer<br>Date | Controlled By<br>Quality control | Verified By<br>Product Manager | Approved By<br>Sanitaryware Head |
| Revision/Version                | 1                                | Plotter Updated on             | Month 10-Jul Year 2018           |