



# CNS-WHT-755SN+CNS-WHT-207

## SPECIFICATION DATA SHEET

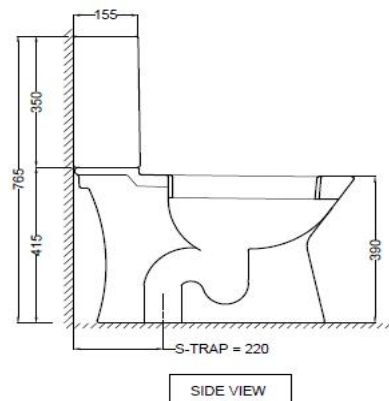
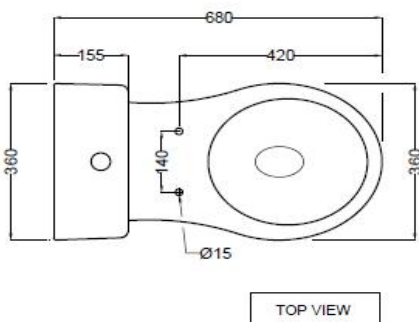
### PRODUCT DETAILS

<b>Manufacturer :</b>	Jaquar	<b>Type:</b>	Bowl for coupled closet WC (P trap )
<b>Range</b>	Continental	<b>Outlet</b>	S-trap
<b>Colour:</b>	White	<b>Material:</b>	Ceramic - Vitreous China
<b>Technical Details:</b>	External diameter of outlet $\phi$ 100 +5 -2 mm	<b>BOM doc.NO.</b>	JSW/01/2018/0051 JSW/01/2018/0052
	Horizontal distance between the wall line and the center line of the waste outlet hole $\leq$ 220 mm		

### ARTICLE NAME: COUPLE CLOSET BOWL-WC



### TECHNICAL DIMENSIONS



ALL DIMENSIONS ARE IN MM.  
(TOLERANCE  $\pm$  5 MM)

### PRODUCT DIMENSIONS

Length (mm)	Width (mm)	Height (mm)	Net weight (kg)
360	680	765	30.50

### USP

Box rim , Dual flushing, Anti germ glaze

### ACCESSORIES PROVIDED

PP Normal Close Seat cover	CNS-WHT-111N
Floor fixing screw	ZPS-SNS-FB01
Wax Seal	ZPS-WHT-1401

### CARE AND CLEANING GUIDELINES

- ★ Vitreous china sanitary ware products are fragile in nature and need to be handled with care (to avoid personal injury) at all times during its storage, handling, installation and use thereafter.
- ★ The product is heavy and it is recommended that two persons hold it while it is being fixed.
- ★ Carefully inspect the new product for damage before installation.
- ★ Risk of product damage. Over tightening may cause breakage or chipping of vitreous china.
- ★ Risk of external leakage. Do not lift or rock the bowl after placement.
- ★ Always test your cleaning solution on an inconspicuous area on the product before applying it to the entire surface.
- ★ Do not allow cleaners to sit or soak on the product.
- ★ Use a soft, dampened sponge or cloth to clean. Never use abrasive material like a bristle brush or scouring pad.
- ★ Wipe surfaces clean and rinse completely with water immediately after applying cleaners.
- ★ Clean Chrome, stainless steel surfaces once a week. Do not use cleaners containing chloride on chrome, stainless steel. If used, rinse the surface immediately to prevent corrosion.
- ★ Wherever chrome plating is used on the products, use only warm water to clean and then dry with a soft cloth.

### CERTIFICATION

Compliance : IS 2556.2:2004, IS 2556.1:1994 , EN 997 :2012+A1, BS EN 14124:2004

All technical dimensions are in accordance to British standards, Bureau of Indian Standards

### PACKAGING DETAIL

Length (mm)	Width (mm)	Height (mm)	Gross Weight(kg)
690	430	430	21.50
382	192	390	12.60

### LOADING PALLET DETAIL

Length (mm)	Width (mm)	Height (mm)	no of pieces on pallet
1140	1140	2285	16
1140	1140	2285	60



Prepared By Designer Date	Controlled By Quality control	Verified By Product Manager	Approved By Sanitaryware Head
---------------------------------	----------------------------------	--------------------------------	----------------------------------

Revision/Version 1 Plotter Updated on Month 09-Jul Year 2018