



URS-WHT-13255

SPECIFICATION DATA SHEET

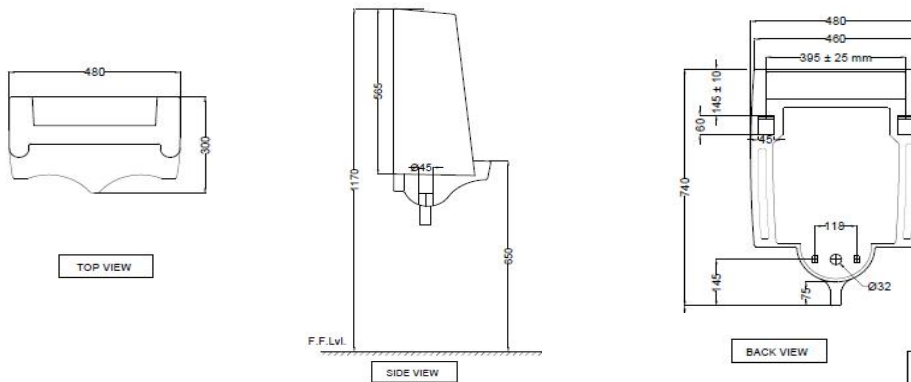
PRODUCT DETAILS

Manufacturer :	Jaquar	Type:	Urinal
Range	Urinal	Colour:	White
Outlet	Vertical	Material:	Ceramic - Vitreous China
Technical Details:	Inlet hole dia. 30 ϕ +2 -1mm	BOM doc.NO.	JSW/01/2018/0135
	ID of waste outlet hole 30 ϕ +2 -1 mm		
	Vertical distance between the centre line of the top Inlet and the centre line of the waste outlet hole \leq 500 mm		

ARTICLE NAME: WALL HUNG URINAL



TECHNICAL DIMENSIONS



ALL DIMENSIONS ARE IN MM.
(TOLERANCE \pm 5 MM)

PRODUCT DIMENSIONS				USP
Length (mm)	Width (mm)	Height (mm)	Net weight (kg)	Anti germ glaze
480	300	740	25.5	

ACCESSORIES PROVIDED

Urinal Accessories	ZPS-WHT-UA01
Suitable sensor	SHR-CHR-51097
Waste Coupling	ZPS-WHT-UA05

CARE AND CLEANING GUIDELINES

- ★ Vitreous china sanitary ware products are fragile in nature and need to be handled with care (to avoid personal injury) at all times during its storage, handling, installation and use thereafter.
- ★ The product is heavy and it is recommended that two persons hold it while it is being fixed.
- ★ Carefully inspect the new product for damage before installation.
- ★ Risk of product damage. Over tightening may cause breakage or chipping of vitreous china.
- ★ Risk of external leakage. Do not lift or rock the bowl after placement.
- ★ Always test your cleaning solution on an inconspicuous area on the product before applying it to the entire surface.
- ★ Do not allow cleaners to sit or soak on the product.
- ★ Use a soft, dampened sponge or cloth to clean. Never use abrasive material like a bristle brush or scouring pad.
- ★ Wipe surfaces clean and rinse completely with water immediately after applying cleaners.
- ★ Clean Chrome, stainless steel surfaces once a week. Do not use cleaners containing chloride on chrome, stainless steel. If used, rinse the surface immediately to prevent corrosion.
- ★ Wherever chrome plating is used on the products, use only warm water to clean and then dry with a soft cloth.

CERTIFICATION

Compliance : IS 2556.4:2004/IS 2556.1:1994 BS EN 14688 :2015

All technical dimensions are in accordance to British standards, Bureau of Indian Standards

PACKAGING DETAIL				LOADING PALLET DETAIL			
Length (mm)	Width (mm)	Height (mm)	Weight(kg)	Length (mm)	Width (mm)	Height (mm)	Height (mm)
790	480	325	25.8	1140	1140	2285	20



Prepared By Designer Date	Controlled By Quality control	Verified By Product Manager	Approved By Sanitaryware Head
Revision/Version	1	Plotter Updated on	Month 10-Jul Year 2018