



QNS-WHT-7751P+ QNS-WHT-7201

SPECIFICATION DATA SHEET

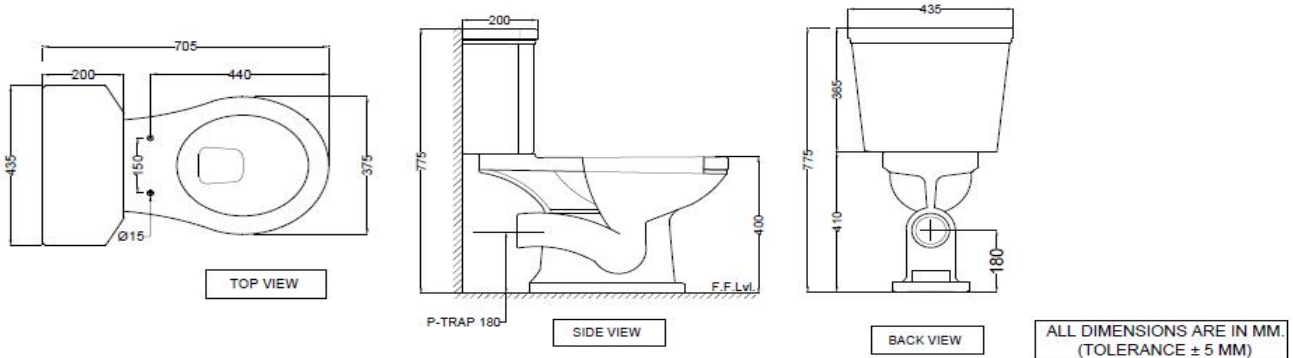
PRODUCT DETAILS

Manufacturer :	Jaquar	Type:	Bowl for coupled closet WC (P trap)
Range:	Queen's	Outlet:	Vertical
Colour:	White	Material:	Ceramic - Vitreous China
Technical Details:	External diameter of outlet ϕ 100 +5 -2 mm	BOM doc.NO.	JSW/12/2017/0006 JSW/12/2017/0007
	Vertical distance between the Floor and the centre line of the waste outlet hole \leq 180 mm		

ARTICLE NAME: COUPLE CLOSET BOWL-WC



TECHNICAL DIMENSIONS



PRODUCT DIMENSIONS				USP
Length (mm)	Width (mm)	Height (mm)	Net weight (kg)	Box Rim, Dual Flushing, Anti Germ Glaze
435	705	775	40.0	

ACCESSORIES PROVIDED	
UF soft closing seat cover	QNS-WHT-7101UF
Floor fixing screw	ZPS-SNS-FB01

CARE AND CLEANING GUIDELINES

- ★ Vitreous china sanitary ware products are fragile in nature and need to be handled with care (to avoid personal injury) at all times during its storage, handling, installation and use thereafter.
- ★ The product is heavy and it is recommended that two persons hold it while it is being fixed.
- ★ Carefully inspect the new product for damage before installation.
- ★ Risk of product damage. Over tightening may cause breakage or chipping of vitreous china.
- ★ Risk of external leakage. Do not lift or rock the bowl after placement.
- ★ Always test your cleaning solution on an inconspicuous area on the product before applying it to the entire surface.
- ★ Do not allow cleaners to sit or soak on the product.
- ★ Use a soft, dampened sponge or cloth to clean. Never use abrasive material like a bristle brush or scouring pad.
- ★ Wipe surfaces clean and rinse completely with water immediately after applying cleaners.
- ★ Clean Chrome, stainless steel surfaces once a week. Do not use cleaners containing chloride on chrome, stainless steel. If used, rinse the surface immediately to prevent corrosion.
- ★ Wherever chrome plating is used on the products, use only warm water to clean and then dry with a soft cloth.

CERTIFICATION

Compliance : IS 2556.2:2004, IS 2556.1:1994 , EN 997 :2012+A1, BS EN 14124:2004

All technical dimensions are in accordance to British standards, Bureau of Indian Standards

PACKAGING DETAIL				LOADING PALLET DETAIL			
Length (mm)	Width (mm)	Height (mm)	Gross Weight(kg)	Length (mm)	Width (mm)	Height (mm)	no of pieces on pallet
720	480	500	32.0	1140	1140	2285	16
485	270	460	16.0	1140	1140	2285	60



Prepared By Designer Date	Controlled By Quality control	Verified By Product Manager	Approved By Sanitaryware Head
---------------------------------	----------------------------------	--------------------------------	----------------------------------

Revision/Version	1	Plotter Updated on	Month	10-Jul	Year	2018
------------------	---	--------------------	-------	--------	------	------