



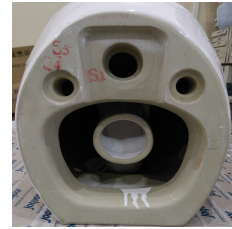
FSS-WHT-29951

**SPECIFICATION DATA SHEET**

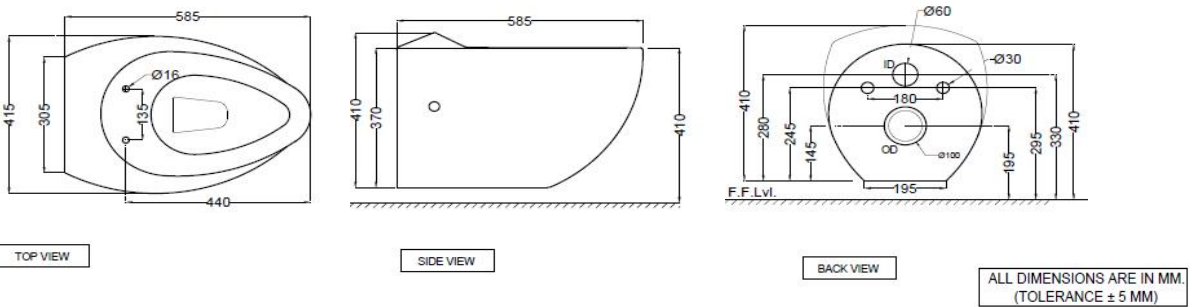
**PRODUCT DETAILS**

<b>Manufacturer :</b>	Jaquar	<b>Type:</b>	Wall hung WC (water closet)
<b>Range</b>	Fusion	<b>Flush valves</b>	Regular, Dual & I Flush advantages
<b>Colour:</b>	White	<b>Material:</b>	Ceramic - Vitreous China
<b>Outlet</b>	Vertical	<b>BOM doc.NO.</b>	JSW/01/2018/0087
<b>Technical Details:</b>	Internal diameter of inlet hole $\varnothing 58 \pm 2 -1$ mm External diameter of outlet hole $\varnothing 100 \pm 5 -2$ mm		

**ARTICLE NAME: WALL HUNG WC**



**TECHNICAL DIMENSIONS**



PRODUCT DIMENSIONS				USP
Length (mm)	Width (mm)	Height (mm)	Net weight (kg)	Box Rim with Heavy Duty Seat Cover, Anti Germ Glaze
415	585	410	29.75	
ACCESSORIES PROVIDED				
PP Soft Close Seat cover			FSS-WHT-29101PP	
Inlet & Outlet gasket			ZPS-WHT-GK01	
Fixing Kit			FSS-WHT-1211	
ACCESSORIES RECOMMENDED				
Rag bolt			ZPS-MST-RB07	
Concealed cistern model no			JCS-WHT-2400S,2400FS,2400WS	



**CARE AND CLEANING GUIDELINES**

- ★ Vitreous china sanitary ware products are fragile in nature and need to be handled with care (to avoid personal injury) at all times during its storage, handling, installation and use thereafter.
- ★ The product is heavy and it is recommended that two persons hold it while it is being fixed.
- ★ Carefully inspect the new product for damage before installation.
- ★ Risk of product damage. Over tightening may cause breakage or chipping of vitreous china.
- ★ Risk of external leakage. Do not lift or rock the bowl after placement.
- ★ Always test your cleaning solution on an inconspicuous area on the product before applying it to the entire surface.
- ★ Do not allow cleaners to sit or soak on the product.
- ★ Use a soft, dampened sponge or cloth to clean. Never use abrasive material like a bristle brush or scouring pad.
- ★ Wipe surfaces clean and rinse completely with water immediately after applying cleaners.
- ★ Clean Chrome, stainless steel surfaces once a week. Do not use cleaners containing chloride on chrome, stainless steel. If used, rinse the surface immediately to prevent corrosion.
- ★ Wherever chrome plating is used on the products, use only warm water to clean and then dry with a soft cloth.

**CERTIFICATION**

Compliance : IS 2556.2:2004/IS 2556.1:1994 EN 997 :2012+A1  
All technical dimensions are in accordance to British standards, Bureau of Indian Standards

PACKAGING DETAIL				LOADING PALLET DETAIL			
Length (mm)	Width (mm)	Height (mm)	Gross Weight(kg)	Length (mm)	Width (mm)	Height (mm)	No of pieces on pallet
650	430	480	31.5	1140	1140	2285	16



Prepared By Designer Date	Controlled By Quality control	Verified By Product Manager	Approved By Sanitaryware Head
Revision/Version	1	Plotter Updated on	Month
		09-Jul	Year
			2018