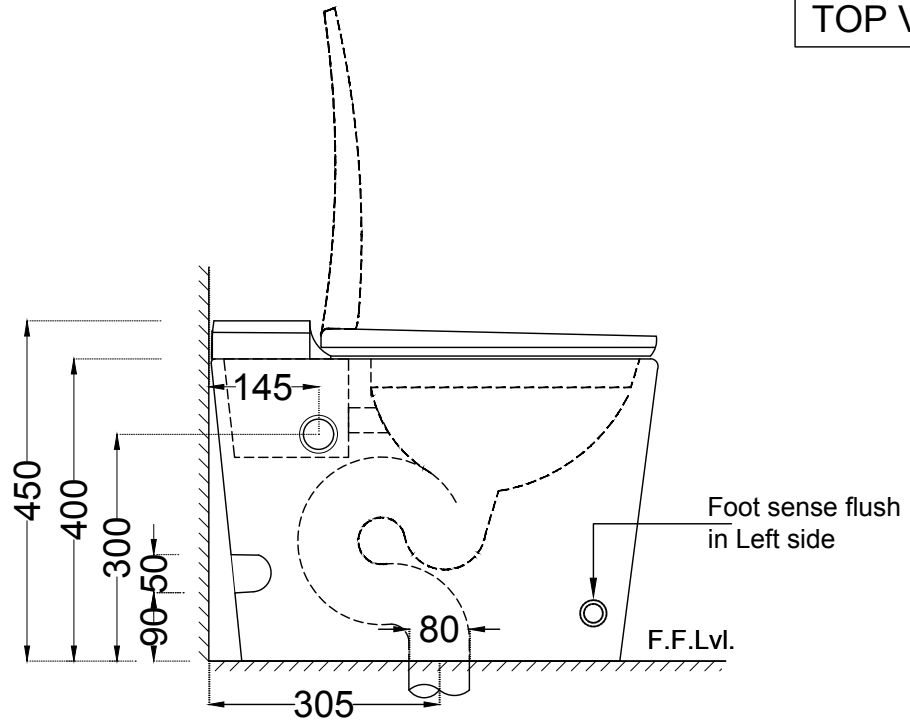
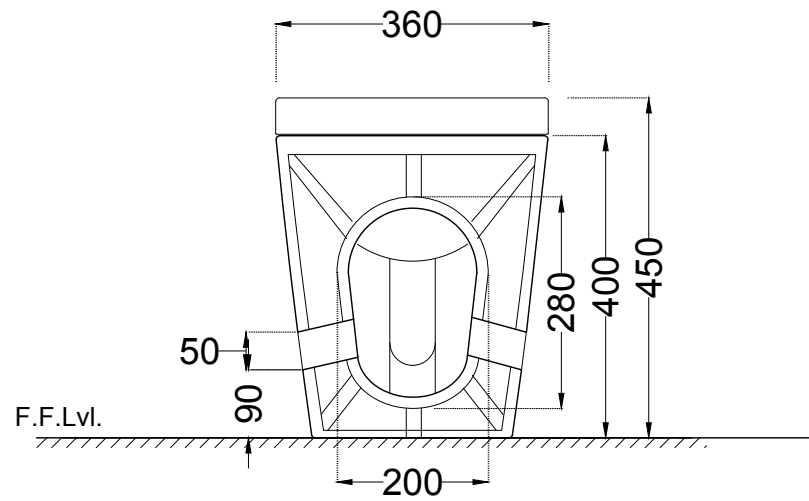


TOP VIEW



SIDE VIEW



BACK VIEW

	Jaquar Group Global Headquarters Plot No. 3, Sector- M-11, IMT Manesar Gurgaon, NCR - 122050, India E-mail : Sales: support@jaquar.com Customer Service : service@jaquar.com		ITEM CODE	ARS-WHT-39851S300UFSMTL
			ITEM TYPE	SINGLE PIECE WC S TRAP-300 MM
			ITEM SIZE	360x590x450 mm
	ALL DIMENSIONS ARE IN MM. (TOLERANCE ± 5 MM)			