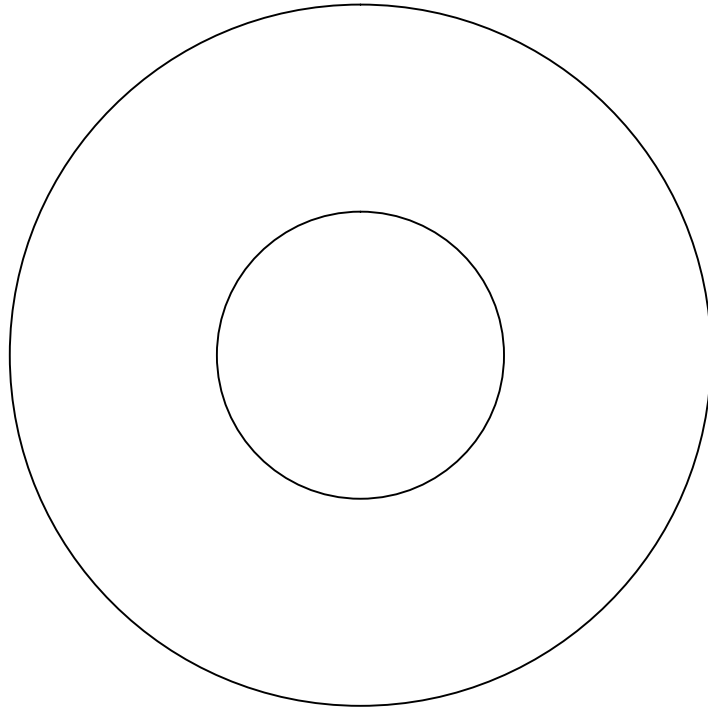
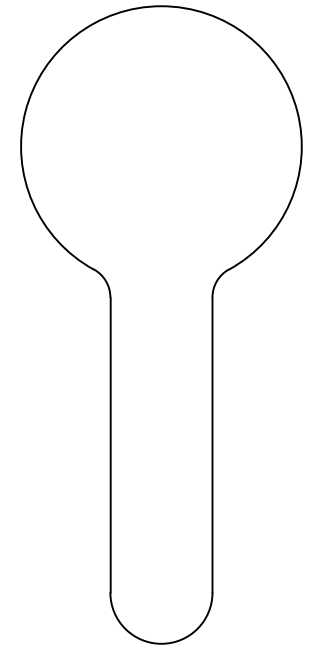
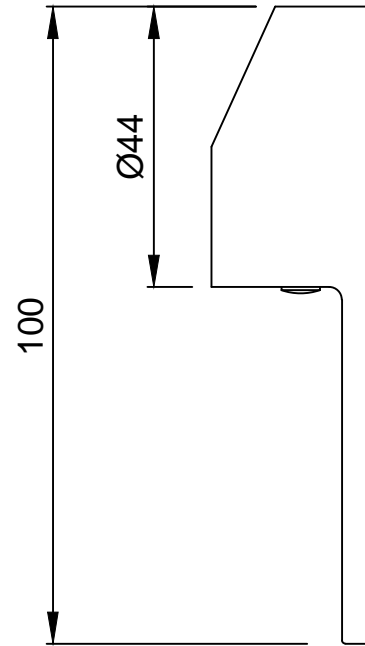


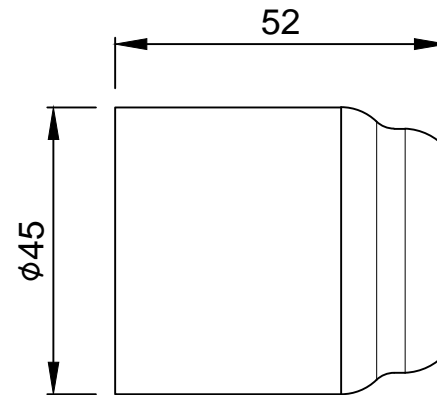
Ø110



WALL FLANGE



OPERATING LEVER



CARTRIDGE SLEEVE