

# INDOOR/DOWNLIGHT

## CELEST - TILTABLE

### Technical Datasheet

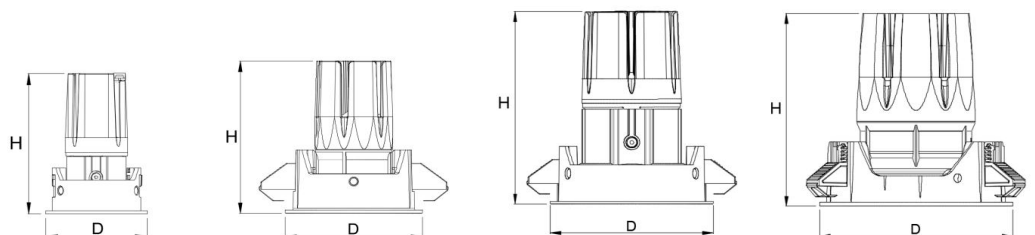


### CE IP20 OPTION

Range of architectural recessed round fixed downlights. The black anti-glare reflector achieves a discreet appearance with all versions for high visual comfort, as wallwashers create efficient, precise and highly uniform vertical lighting, even at small distances to the wall.

Benefits	Applications
Description	Hotel
Available in four diameter: $\varnothing$ 63mm, $\varnothing$ 90mm, $\varnothing$ 115mm, $\varnothing$ 140mm	Shopping malls
Power: 8W, 12W, 15W, 20W, 25W, 30W	Office buildings
Dimming option: Triac, 1-10V, DALI.	Retail stores
Beam angle: 15°/24°/36°/55°	Airports
Reflector color option: Matt Silver, Pearl Black, Matt Gold, Matt Black, Matt White, Shining Silver	Metro stations
	Public buildings

### Diagram



Dimensions	8W	12W/15W	20W/25W	30W
$\varnothing$ D	63mm	90mm	115mm	140mm
H	92mm	105mm	145mm	146mm
Cutout	55mm	80mm	105mm	130mm

# INDOOR/DOWNLIGHT

## INSTALLATION INSTRUCTION

	8W	12W/15W		20W/25W		30W
Luminous Flux 4000K	580lm	1056lm	1320lm	1660lm	2075lm	2910lm
Efficacy(Around)	75 lm/W	88lm/W		83lm/W		97lm/W
CCT	2700K, 3000K, 4000K					
CRI	≥90					
SDCM	3					
UGR	<19					
Beam Angle	15°/24°/36°/55°					

## ELECTRICAL AND MECHANICAL SPECIFICATIONS

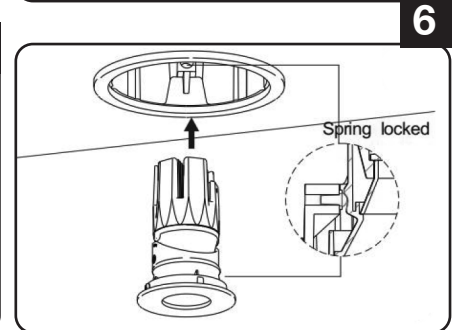
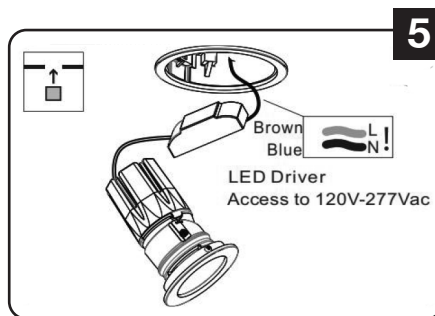
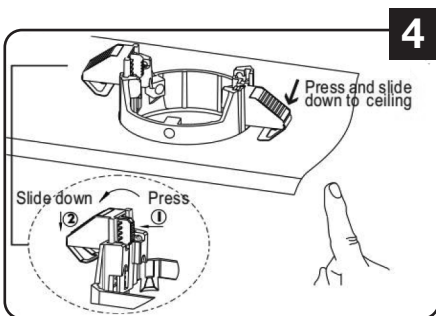
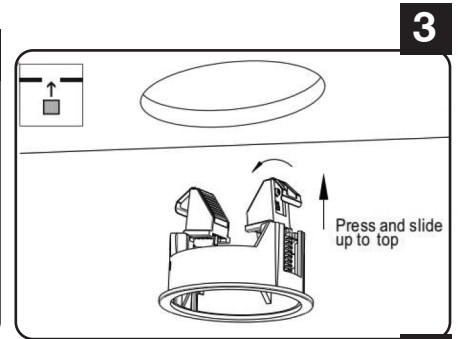
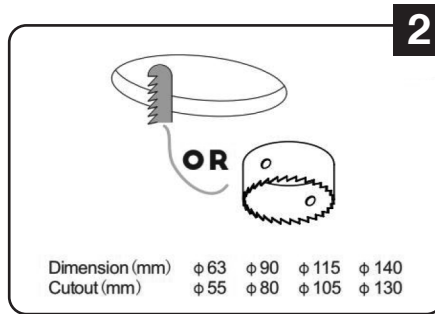
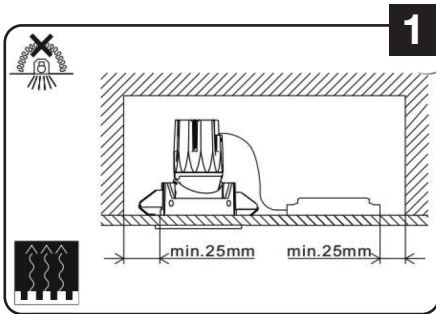
Input Voltage	220-240V AC 50/60Hz
Power Factor	>0.9
Total Harmonic Distortion	<20%
Surge Protection	Line-to-line 3KV
Cover Lens	Fresnel lens
Housing	Die-casting heatsink + Die-casting mounting ring

## SYSTEM SPECIFICATIONS

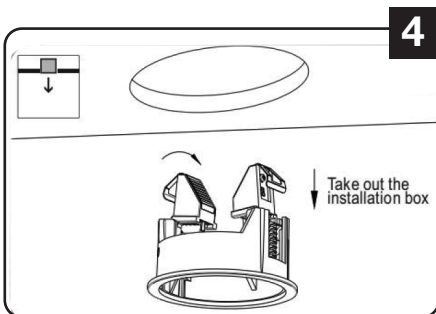
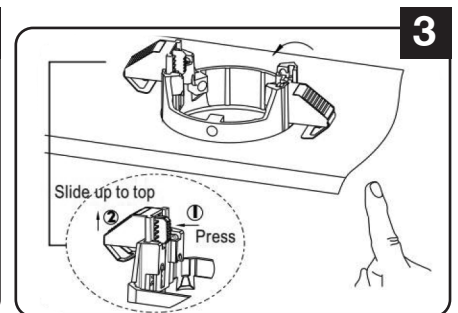
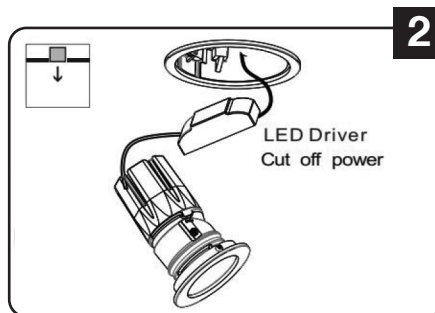
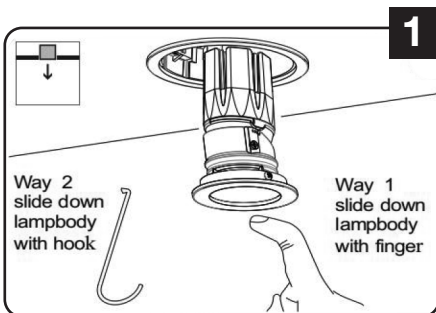
Power	AC line
Dimmable	ON/OFF, *DALI/1-10V/ TRIAC Dim on request
Installation	Recessed mounting
Operating Temperature	-20°C to +40°C
Storage Temperature	-35°C to +80°C
Environment	Indoor (IP20)
Lumen Maintenance	L70 @25°C - 50,000hrs
Safety Approval	Electrical Protection Class II,CE, RoHS

# INDOOR/DOWNLIGHT

## INSTALLATION INSTRUCTION



## UNINSTALLATION DIAGRAM



\* The information presented in this document is not intended as any commercial offer and does not form part of any quotation or contract, unless otherwise agreed by Jaquar lighting solutions. Specifications are subject to change without notice. Errors and omission excepted, always make sure to use the most recent release. The prices are subject to change without notice and those ruling at the time of supply will be charged. Colours & sizes of product images shown in the Website may vary in reality

### Jaquar Group

Plot No.3, Sector - 11, IMT Manesar, Gurgaon, National Capital Region - 122050 India,  
Toll Free No. 1800-212-6808 | SMS: "CUS" to 575758 | Feedback/Complaints: [ccare.lighting@jaquar.com](mailto:ccare.lighting@jaquar.com)