

LED TRACK COLT LIGHT 15W

Indoor Luminaire

Product Code:-

AKL-BLK-CTTLBR15AC15XW, AKL-BLK-CTTLBR26AC15XW,

AKL-BLK-CTTLBR36AC15XW, AKL-BLK-CTTLBR60AC15XW

AKL-BLK-CTTLBR15AC15XN, AKL-BLK-CTTLBR26AC15XN,

AKL-BLK-CTTLBR36AC15XN, AKL-BLK-CTTLBR60AC15XN

15W - 1050Lm - 3000K - CRI>90 - Beam Angle - Available in 15,26,36,60°



Technical Specifications

Operating Temperature(°C)	-10°C to 40°C
Rated Input Voltage & Frequency	230 VAC, 50Hz
Rated Input Wattage (W)	15W ± 10%
Rated Input Current (A)	0.068 A (Nominal)
Power Factor (PF)	0.90
ATHD (%)	<10 %
Rated Luminous Flux	>1050 lm (tolerance as per BIS)
Rated Luminaire Efficacy	>70 lm/W (tolerance as per BIS)
Correlated Color Temperature (CCT)	3000 K, 4000K (tolerance as per ANSI)
Color Rendering Index (CRI)	>90 Ra
Beam Angle	Available in 15 ,26, 36, 60° (Deg)
Driver Efficiency (%)	>85 %
LED Life Span	>50000 Hrs (Ta=25°C @L70)
Lens / Reflector	Lens
Mounting	Recessed mount

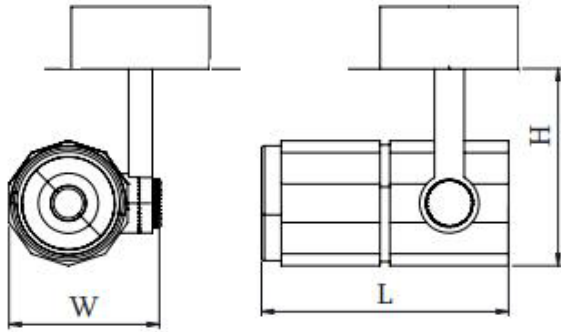


Protections

Over Voltage Protection	Withstand upto 440V/AC for 4 Hrs.
Surge Protection	±4.0KV
Protection Class	Class II
Ingress Protection (IP Rating)	IP20
Impact Protection (IK Rating)	IK02
Short Circuit Protection	Provided
Open Circuit Protection (No Load)	Provided
Reverse Polarity Protection	Provided

Product Dimensions:- (LXWXH)

125X77X95 mm (Tol. ± 5 mm)
Cutout: 70mm



Applications

Residences, Offices, Small Retail Shops,
Hotels, Coffee Shops, Restaurants, Hospitals,
area lighting and for other indoor applications.