

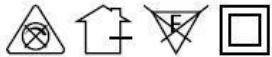
ENSAVE PLUS 25W

Ensave Plus LED Round Downlight

Indoor Luminaire

Product Code:

LESP01R025XC / LESP01R025XN / LESP01R025XW
25W - 2500lm - 6500K - CRI>80 Ra - Beam Angle 100°



Technical Specifications

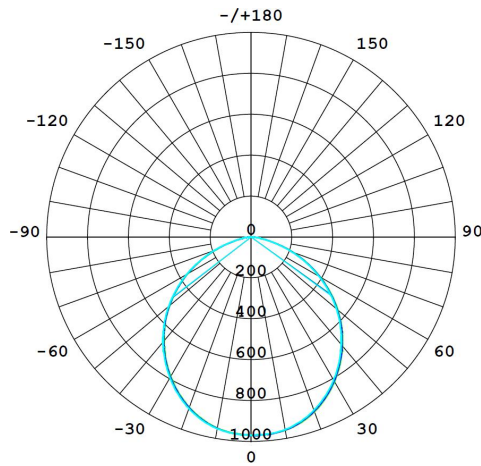
Operating Temperature	-10°C to 45°C
Rated Input Voltage & Frequency	220-240 V AC
Rated Input Wattage	25W ± 10%
Rated Input Current	0.116 Amp (Nominal)
Power Factor	>0.95
THD	<10%
Rated Luminous Flux	2500 lm / 2375 lm / 2250 lm (tolerance as per BIS)
Rated Luminaire Efficacy	100 lm/W / 95 lm/W / 90 m/W (tolerance as per BIS)
Correlated Color Temperature (CCT)	6500 K / 4000 K / 3000 K (tolerance as per ANSI)
Color Rendering Index (CRI)	>80 Ra
Beam Angle	100° (within the permissible limits)
Driver Efficiency	≥85%
LED Life Span	>50000 Hrs (Ta=25°C @L70)
Housing	Die Cast Aluminium with PC Ring
Lens / Reflector	Diffuser PMMA/PC
Mounting	Recessed

Protections

Over Voltage Protection	360 V AC upto 20 min.
Surge Protection	±2.5KV
Protection Class	Class II
Ingress Protection (IP Rating)	IP20
Impact Protection (IK Rating)	NA
Short Circuit Protection	Provided
Open Circuit Protection (No Load)	Provided
Reverse Polarity Protection	Provided

All technical data is subject to industry-standard tolerances.

Light Distribution



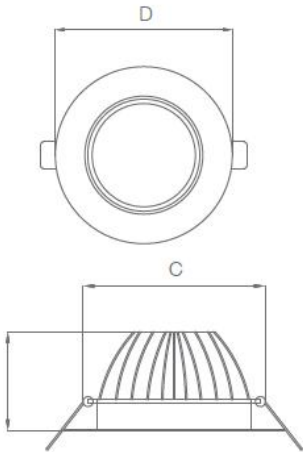
UGR Table

ceiling/cavity	0.7	0.7	0.5	0.5	0.3	0.7	0.7	0.5	0.5	0.3	
walls	0.5	0.3	0.5	0.3	0.3	0.5	0.3	0.5	0.3	0.3	
working plane	0.2	0.2	0.2	0.2	0.2	0.2	0.2	0.2	0.2	0.2	
Room dimensions	Viewed crosswise					Viewed endwise					
x = 2H y = 2H	17.1	18.5	17.3	18.7	18.9	17.0	18.5	17.2	18.7	18.9	
3H	18.3	19.7	18.6	19.9	20.1	18.2	19.6	18.5	19.8	20.0	
4H	18.7	20.0	19.0	20.2	20.5	18.6	19.8	18.9	20.1	20.4	
6H	18.8	20.1	19.2	20.3	20.6	18.7	19.9	19.0	20.2	20.5	
8H	18.9	20.0	19.2	20.3	20.6	18.7	19.9	19.1	20.2	20.5	
12H	18.9	20.0	19.2	20.3	20.6	18.7	19.8	19.1	20.1	20.4	
4H	2H	17.6	18.9	17.9	19.1	19.4	17.5	18.8	17.8	19.1	19.3
3H	19.0	20.1	19.3	20.4	20.7	18.9	20.0	19.3	20.3	20.6	
4H	19.5	20.5	19.8	20.8	21.1	19.4	20.4	19.7	20.7	21.0	
6H	19.7	20.6	20.1	21.0	21.3	19.6	20.5	20.0	20.8	21.2	
8H	19.8	20.6	20.2	21.0	21.4	19.6	20.5	20.1	20.8	21.2	
12H	19.8	20.6	20.2	21.0	21.4	19.7	20.4	20.1	20.8	21.2	
8H	4H	19.6	20.5	20.0	20.8	21.2	19.5	20.4	19.9	20.7	21.1
6H	19.9	20.6	20.4	21.0	21.5	19.8	20.5	20.3	20.9	21.3	
8H	20.0	20.7	20.5	21.1	21.5	19.9	20.5	20.4	21.0	21.4	
12H	20.1	20.6	20.6	21.1	21.6	20.0	20.5	20.5	21.0	21.4	
12H	4H	19.6	20.4	20.0	20.7	21.2	19.5	20.3	19.9	20.7	21.1
6H	19.9	20.6	20.4	21.0	21.4	19.8	20.4	20.3	20.9	21.3	
8H	20.1	20.6	20.6	21.0	21.5	20.0	20.5	20.4	20.9	21.4	
Variations with the observer position at spacings (CIE Pub.117):											
S = 1.0H	+ 0.2 / - 0.3					+ 0.2 / - 0.3					
1.5H	+ 0.2 / - 0.4					+ 0.2 / - 0.4					
2.0H	+ 0.3 / - 0.3					+ 0.3 / - 0.4					

With our continuous efforts to upgrade the technology/product, all product specifications and data are subject to change without prior notice. We always try to maintain the accuracy of our product images, but due to different viewing conditions, the colors may vary. Images are only for indicative purpose.

Product Dimensions (L x W x H), Cutout (Dia.)

Ø 175 X 85mm, Ø 160mm



Applications

Residences, Offices, Small Retail Shops, Hotels, Coffee Shops, Restaurants, Hospitals, area lighting and for other indoor applications.