



### **DIMAS 12W**

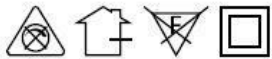
DIMAS RECESSED COB DOWNLIGHT

Indoor Luminaire

Product Code:

LDMA01R012XC / LDMA01R012XN / LDMA01R012XW

12W - 720lm - 6500K - CRI>90 Ra - Beam Angle 30°



### Technical Specifications

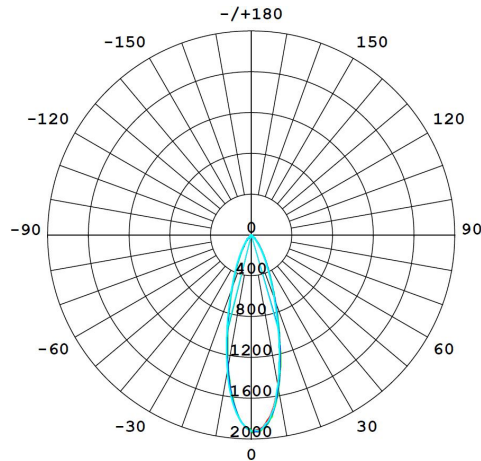
Operating Temperature	-10°C to 40°C
Rated Input Voltage & Frequency	230 VAC, 50Hz
Rated Input Wattage	12W ± 10%
Rated Input Current	0.058 Amp (Nominal)
Power Factor	≥0.9
ATHD	<15%
Rated Luminous Flux	720 lm / 685 lm / 650 lm (tolerance as per BIS)
Rated Luminaire Efficacy	60 lm/W / 57 lm/W / 55 lm/W (tolerance as per BIS)
Correlated Color Temperature (CCT)	6500 K / 4000 K / 3000 K (tolerance as per ANSI)
Color Rendering Index (CRI)	>90 Ra
Beam Angle	30° (within the permissible limits)
Driver Efficiency	≥80%
LED Life Span	>50000 Hrs (Ta=25°C @L70)
Housing	Aluminium Housing with White/Black Powder Coating
Lens / Reflector	Reflector
Mounting	Recess

### Protections

Over Voltage Protection	Withstand upto 440 V/AC for 4 Hrs.
Surge Protection	±4.0KV
Protection Class	Class II
Ingress Protection (IP Rating)	IP20
Impact Protection (IK Rating)	IK02
Short Circuit Protection	Provided
Open Circuit Protection (No Load)	Provided
Reverse Polarity Protection	Provided

All technical data is subject to industry-standard tolerances.

## Light Distribution

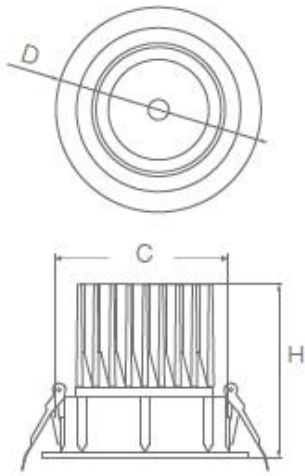


## UGR Table

ceiling/cavity	0.7	0.7	0.5	0.5	0.3	0.7	0.7	0.5	0.5	0.3		
walls	0.5	0.3	0.5	0.3	0.3	0.5	0.3	0.5	0.3	0.3		
working plane	0.2	0.2	0.2	0.2	0.2	0.2	0.2	0.2	0.2	0.2		
Room dimensions	Viewed crosswise					Viewed endwise						
x = 2H y = 2H	2H	3H	4H	6H	8H	12H	2H	3H	4H	6H	8H	12H
	18.6	18.5	18.4	18.3	18.3	18.2	18.4	18.2	18.0	17.9	17.9	17.9
	19.5	19.2	19.1	19.0	18.9	18.8	19.1	18.9	18.7	18.6	18.5	18.5
	18.9	18.7	18.7	18.6	18.6	18.5	18.8	18.7	18.4	18.2	18.2	18.0
	19.6	19.4	19.3	19.2	19.2	19.1	19.4	19.3	19.2	19.2	19.0	18.9
	19.8	19.6	19.5	19.5	19.4	19.4	19.6	19.5	19.5	19.4	19.4	19.4
	18.3	18.2	18.1	18.0	17.9	17.9	18.3	18.2	18.1	18.0	18.0	18.0
	19.1	18.9	18.8	18.7	18.6	18.5	19.1	18.9	18.7	18.6	18.5	18.5
	18.5	18.4	18.3	18.3	18.2	18.2	18.8	18.7	18.4	18.2	18.2	18.2
	19.3	19.1	19.0	18.9	18.8	18.8	19.0	18.9	18.7	18.6	18.5	18.5
	19.5	19.3	19.2	19.1	19.1	19.0	19.2	19.1	19.0	18.9	18.8	18.8
	18.1	17.9	17.8	17.7	17.7	17.6	18.1	18.0	17.9	17.9	17.9	17.9
	18.8	18.5	18.4	18.2	18.2	18.2	18.8	18.7	18.4	18.2	18.2	18.2
	19.0	18.8	18.7	18.5	18.5	18.4	18.8	18.7	18.5	18.4	18.3	18.3
	18.9	18.7	18.6	18.5	18.4	18.4	18.8	18.7	18.5	18.4	18.3	18.3
	19.1	18.9	18.8	18.7	18.6	18.6	19.1	19.0	18.9	18.8	18.7	18.7
	18.8	18.6	18.5	18.4	18.4	18.3	18.8	18.7	18.5	18.4	18.3	18.3
	19.1	18.9	18.8	18.7	18.6	18.6	19.1	19.0	18.9	18.8	18.7	18.7
	17.9	17.9	17.8	17.7	17.7	17.6	18.1	18.0	17.9	17.9	17.9	17.9
	18.4	18.2	18.1	18.0	18.0	17.9	18.4	18.3	18.2	18.2	18.1	18.1
	18.8	18.6	18.5	18.4	18.4	18.3	18.8	18.7	18.5	18.4	18.3	18.3
	19.0	18.8	18.7	18.6	18.5	18.5	19.0	18.9	18.8	18.7	18.6	18.6
	17.9	17.9	17.8	17.7	17.7	17.6	18.1	18.0	17.9	17.9	17.9	17.9
	18.4	18.2	18.1	18.0	18.0	17.9	18.4	18.3	18.2	18.2	18.1	18.1
	18.8	18.6	18.5	18.4	18.4	18.3	18.8	18.7	18.5	18.4	18.3	18.3
	19.0	18.8	18.7	18.6	18.5	18.5	19.0	18.9	18.8	18.7	18.6	18.6
Variations with the observer position at spacings (CIE Pub.117) :												
S = 1.0H	+ 2.6 / -13.3					+ 2.6 / -12.9						
1.5H	+ 4.1 / - 8.6					+ 3.8 / - 8.4						
2.0H	+ 6.3 / - 1.5					+ 6.1 / - 1.5						

## Product Dimensions (Dia.xH)

Ø75 X 70 mm (Tol. ± 5 mm), Cutout Dia. Ø60 mm



## Applications

Residences, Offices, Small Retail Shops,  
Hotels, Coffee Shops, Restaurants, Hospitals,  
area lighting and for other indoor applications.