



ITS-WHT-89853S300PP

SPECIFICATION DATA SHEET

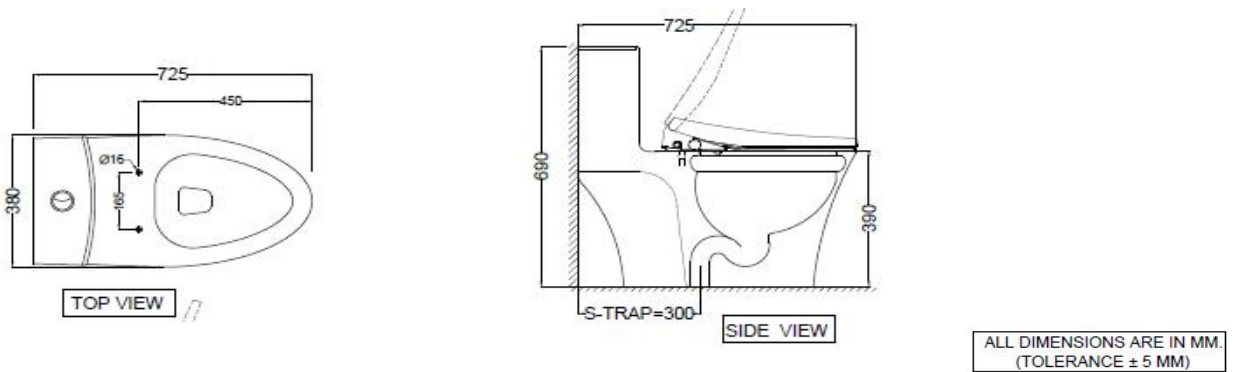
PRODUCT DETAILS

Manufacturer :	Jaquar	Type:	Single piece-WC (S trap)
Range	Bidspa	Outlet	Horizontal
Colour:	White	Material:	Ceramic - Vitreous China
Technical Details:	External diameter of outlet hole \varnothing 80 mm	BOM doc.NO.	JSW/05/2020/0230
Horizontal distance between the wall line and the centre line of the waste outlet hole \leq 300 mm			

ARTICLE NAME: SINGLE PIECE - WC



TECHNICAL DIMENSIONS



PRODUCT DIMENSIONS				USP
Length (mm)	Width (mm)	Height (mm)	Net weight (kg)	Rimless Bowl Design, Tornado Flushing, Electronic Seat Cover, Anti Germ Glaze
380	725	690	43.65	

ACCESSORIES PROVIDED	
Electronic PP Seat cover	ITS-WHT-89101
Floor fixing screw	ZPS-SNS-FB01
Wax Seal	ZPS-WHT-1401

CARE AND CLEANING GUIDELINES

- ★ Vitreous china sanitary ware products are fragile in nature and need to be handled with care (to avoid personal injury) at all times during its storage, handling, installation and use thereafter.
- ★ The product is heavy and it is recommended that two persons hold it while it is being fixed.
- ★ Carefully inspect the new product for damage before installation.
- ★ Risk of product damage. Over tightening may cause breakage or chipping of vitreous china.
- ★ Risk of external leakage. Do not lift or rock the bowl after placement.
- ★ Always test your cleaning solution on an inconspicuous area on the product before applying it to the entire surface.
- ★ Do not allow cleaners to sit or soak on the product.
- ★ Use a soft, dampened sponge or cloth to clean. Never use abrasive material like a bristle brush or scouring pad.
- ★ Wipe surfaces clean and rinse completely with water immediately after applying cleaners.
- ★ Clean Chrome, stainless steel surfaces once a week. Do not use cleaners containing chloride on chrome, stainless steel. If used, rinse the surface immediately to prevent corrosion.
- ★ Wherever chrome plating is used on the products, use only warm water to clean and then dry with a soft cloth.

CERTIFICATION

Compliance : IS 2556.2:2004, IS 2556.1:1994 , EN 997 :2012+A1, BS EN 14124:2004:MS 1522:2015/SASO 1473:2016/CE
 All technical dimensions are in accordance to British standards, Bureau of Indian Standards



PACKAGING DETAIL				LOADING PALLET DETAIL			
Length (mm)	Width (mm)	Height (mm)	Gross Weight(kg)	Length (mm)	Width (mm)	Height (mm)	no of pieces on pallet
750	400	700	46.85	1140	1140	2285	12



Prepared By Designer Date	Controlled By Quality control	Verified By Product Manager	Approved By Sanitaryware Head
Revision/Version	1	Plotter Updated on	Month 25-Aug Year 2020