



LYS-WHT-38851S220UFSMN

SPECIFICATION DATA SHEET

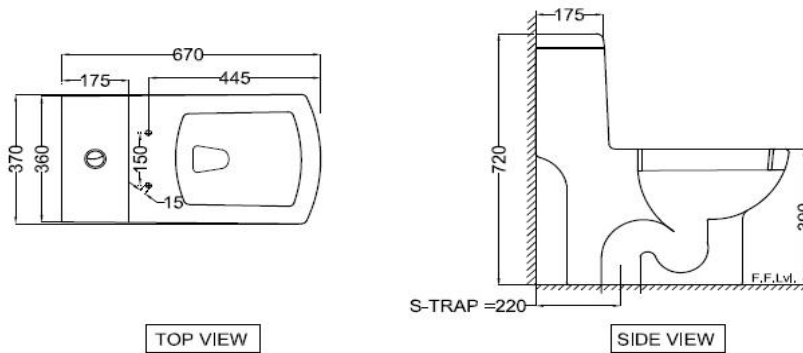
PRODUCT DETAILS

<b>Manufacturer :</b>	Jaquar	<b>Type:</b>	Single piece-WC (S trap )
<b>Range</b>	Lyric	<b>Outlet</b>	Horizontal
<b>Colour:</b>	White	<b>Material:</b>	Ceramic - Vitreous China
<b>Technical Details:</b>	External diameter of outlet hole $\varnothing$ 80 mm	<b>BOM doc.NO.</b>	JSW/06/2020/0235
Horizontal distance between the wall line and the centre line of the waste outlet hole $\leq$ 220 mm			

ARTICLE NAME: SINGLE PIECE - WC



TECHNICAL DIMENSIONS



ALL DIMENSIONS ARE IN MM.  
(TOLERANCE  $\pm$  5 MM)

PRODUCT DIMENSIONS				USP
Length (mm)	Width (mm)	Height (mm)	Net weight (kg)	Anti-Germ, Slim Seat Cover
370	670	720	38.15	
ACCESSORIES PROVIDED				
UF Soft Close Slim Seat Cover			LYS-WHT-38103UF	
Floor fixing screw			ZPS-SNS-FB01	
Wax Seal			ZPS-WHT-1401	

CARE AND CLEANING GUIDELINES

- ★ Vitreous china sanitary ware products are fragile in nature and need to be handled with care (to avoid personal injury) at all times during its storage, handling, installation and use thereafter.
- ★ The product is heavy and it is recommended that two persons hold it while it is being fixed.
- ★ Carefully inspect the new product for damage before installation.
- ★ Risk of product damage. Over tightening may cause breakage or chipping of vitreous china.
- ★ Risk of external leakage. Do not lift or rock the bowl after placement.
- ★ Always test your cleaning solution on an inconspicuous area on the product before applying it to the entire surface.
- ★ Do not allow cleaners to sit or soak on the product.
- ★ Use a soft, dampened sponge or cloth to clean. Never use abrasive material like a bristle brush or scouring pad.
- ★ Wipe surfaces clean and rinse completely with water immediately after applying cleaners.
- ★ Clean Chrome, stainless steel surfaces once a week. Do not use cleaners containing chloride on chrome, stainless steel. If used, rinse the surface immediately to prevent corrosion.
- ★ Wherever chrome plating is used on the products, use only warm water to clean and then dry with a soft cloth.

CERTIFICATION

Compliance : IS 2556.2:2004, IS 2556.1:1994, EN 997 :2012+A1, BS EN 14124:2004/CE

All technical dimensions are in accordance to British standards, Bureau of Indian Standards



PACKAGING DETAIL				LOADING PALLET DETAIL			
Length (mm)	Width (mm)	Height (mm)	Gross Weight(kg)	Length (mm)	Width (mm)	Height (mm)	no of pieces on pallet
680	375	750	43.00	1140	1140	2285	12



Prepared By Designer Date	Controlled By Quality control	Verified By Product Manager	Approved By Sanitaryware Head
---------------------------------	----------------------------------	--------------------------------	----------------------------------

Revision/Version 1 Plotter Updated on Month 26-Aug Year 2020