



ARS-WHT-39751S250PPZ

SPECIFICATION DATA SHEET

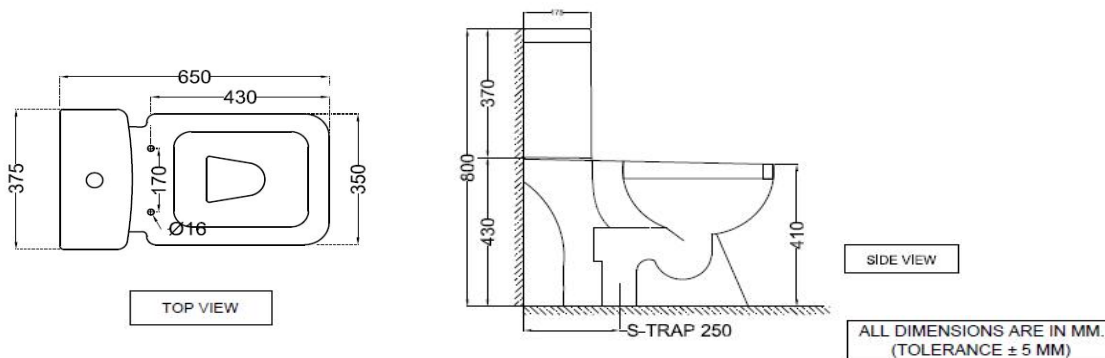
PRODUCT DETAILS

Manufacturer :	Jaquar	Type:	Complete Set For Coupled WC (S trap)
Range	Aria	Outlet	Horizontal
Colour:	White	Material:	Ceramic - Vitreous China
Technical Details:	External diameter of outlet \varnothing 100 +5 -5 mm	BOM doc.NO.	JSW/09/2019/0180
	Horizontal distance between the wall line and the centre line of the waste outlet hole \leq 250 mm		

ARTICLE NAME: COMPLETE SET COUPLED WC



TECHNICAL DIMENSIONS



PRODUCT DIMENSIONS				USP
Length (mm)	Width (mm)	Height (mm)	Net weight (kg)	Box rim with heavy duty seat cover, Dual flushing, anti germ glaze
375	650	800	37.50	
ACCESSORIES PROVIDED				
PP Soft Close Seat cover			FLS-WHT-5105PP	
Fixing screw Normal			ZPS-SNS-FB01	
Wax seal			ZPS-WHT-1401	
Cistern			ARS-WHT-39201	
Cistern Fittings			ZCF-WHT-FT003	

CARE AND CLEANING GUIDELINES

- ★ Vitreous china sanitary ware products are fragile in nature and need to be handled with care (to avoid personal injury) at all times its storage, installation and use thereafter.
- ★ The product is heavy and it is recommended that two persons hold it while is being fixed.
- ★ Carefully inspect the new product for damage before installation.
- ★ Risk of product damage Over tightening may cause breakage or chipping of vitreous china.
- ★ Risk of external leakage. Do not lift or the bowl after placement.
- ★ Always test your cleaning solution on an inconspicuous area the product before applying it to entire surface.
- ★ Do not allow cleaners to sit or soak on the product.
- ★ Use a soft, dampened sponge or cloth to clean. Never use abrasive material like a bristle brush or scouring pad.
- ★ Wipe surfaces clean and rinse completely with water immediately after applying cleaners.
- ★ Clean Chrome, stainless steel surfaces once a week. Do not use cleaners containing chloride on chrome, stainless steel. If used, rinse the surface immediately to prevent corrosion.
- ★ Wherever chrome plating is used on the product, use only water to clean and then dry with a soft cloth.

CERTIFICATION

Compliance : IS 2556.2:2004, IS 2556.1:1994 , EN 997 :2012+A1, BS EN 14124:2004/CE

All technical dimensions are in accordance to British standards, Bureau of Indian Standards



PACKAGING DETAIL				LOADING PALLET DETAIL			
Length (mm)	Width (mm)	Height (mm)	Gross Weight(kg)	Length (mm)	Width (mm)	Height (mm)	no of pieces on pallet
855	410	445	37.50	1140	1140	2285	16



Prepared By Designer Date	Controlled By Quality control	Verified By Product Manager	Approved By Sanitaryware Head
Revision/Version	1	Plotter Updated or Month	10-Sep Year 2019