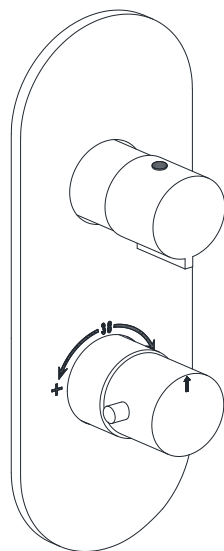
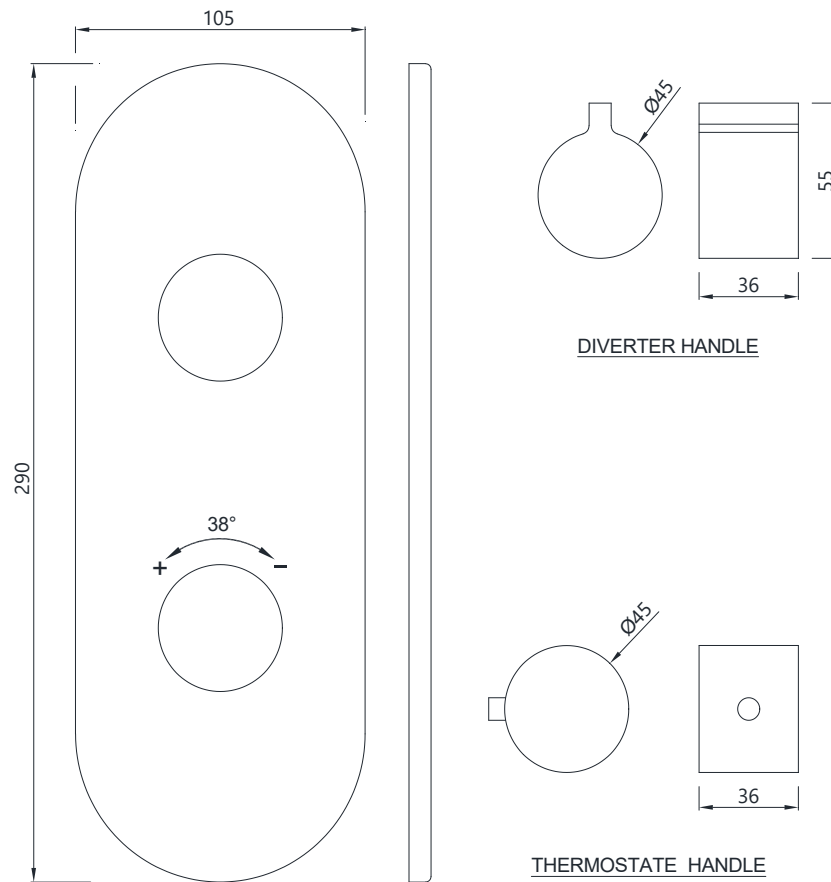




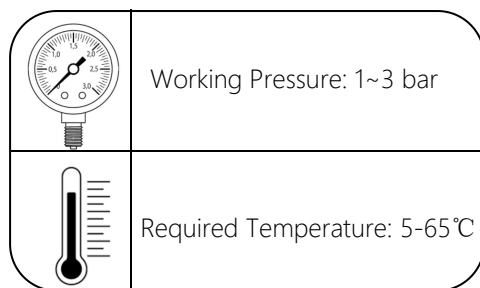
LAG-91661K



TECHNICAL DRAWING



TEMP.& WATER PRESSURE REQUIREMENTS

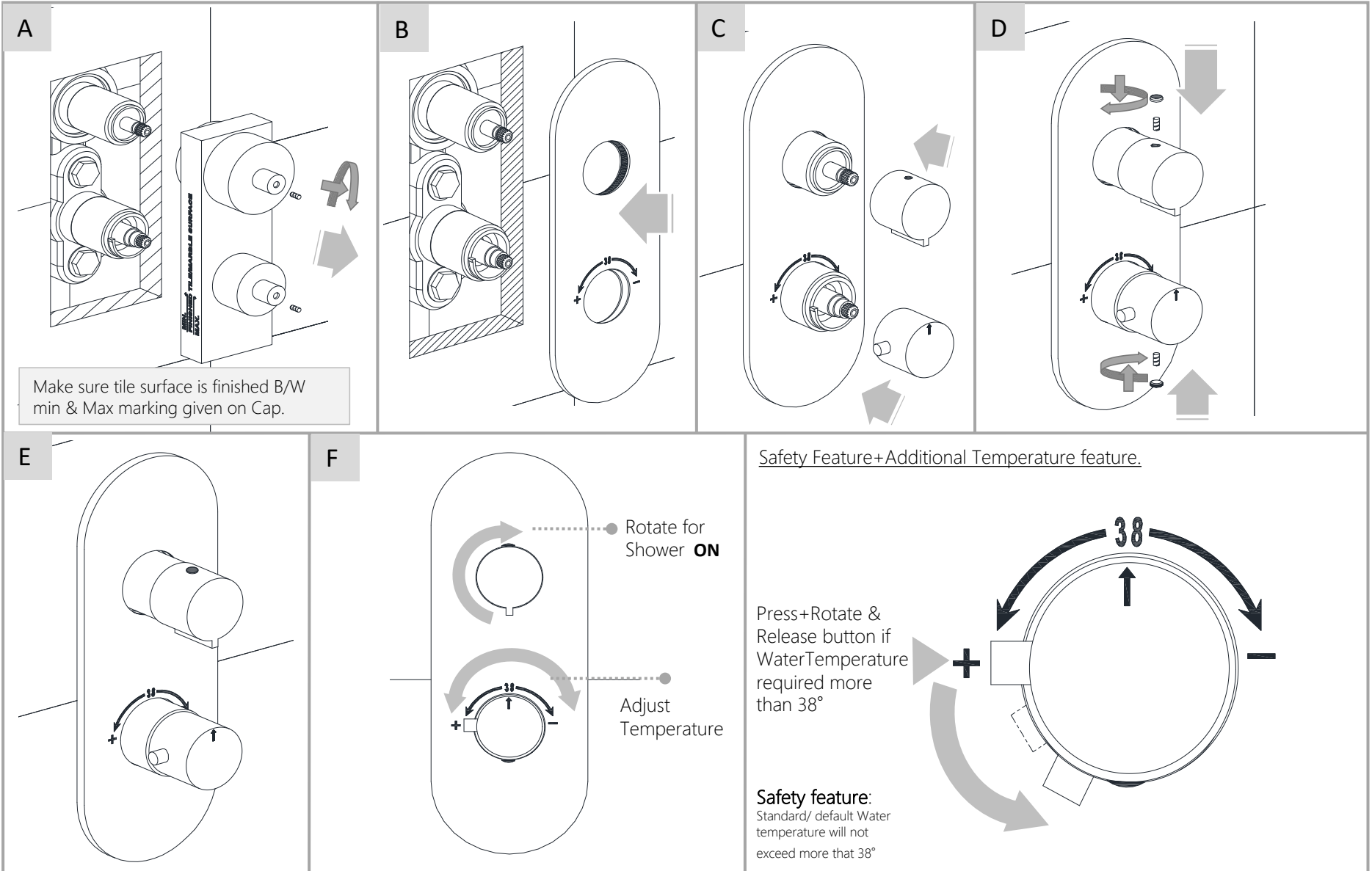


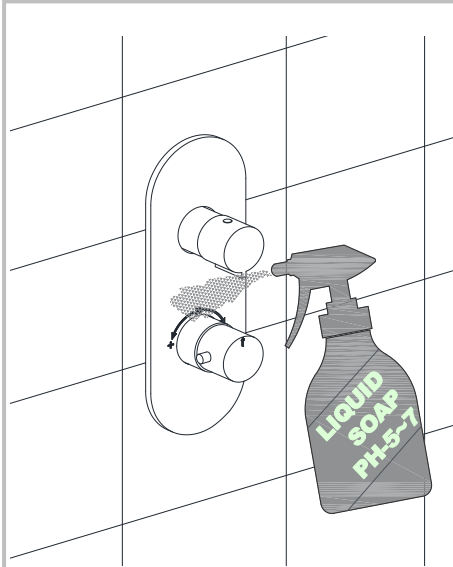
Note: Above values are the recommended values for Getting Conventional Outputs.

WALL FLANGE

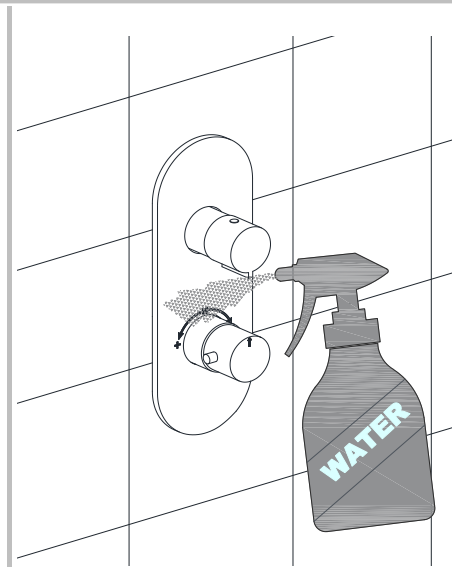
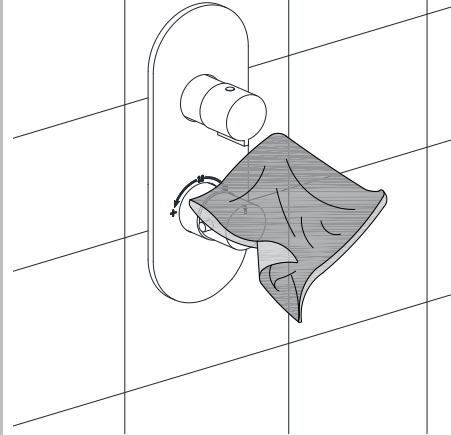
THERMOSTATE HANDLE

DIVERTER HANDLE

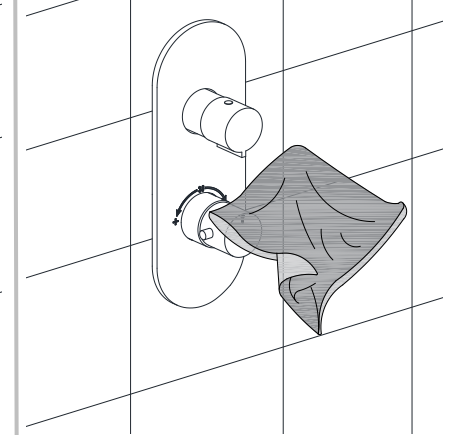




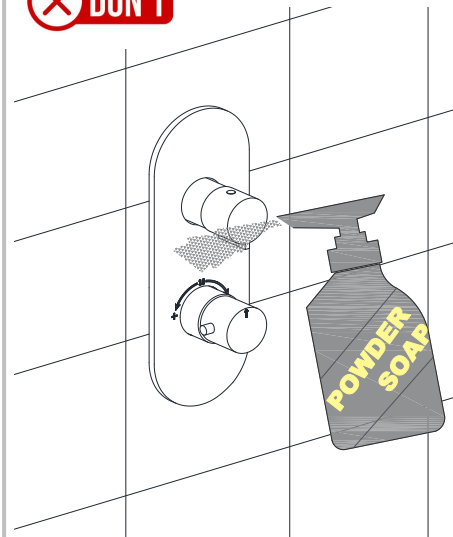
Apply soft cotton cloth



Apply soft cotton cloth

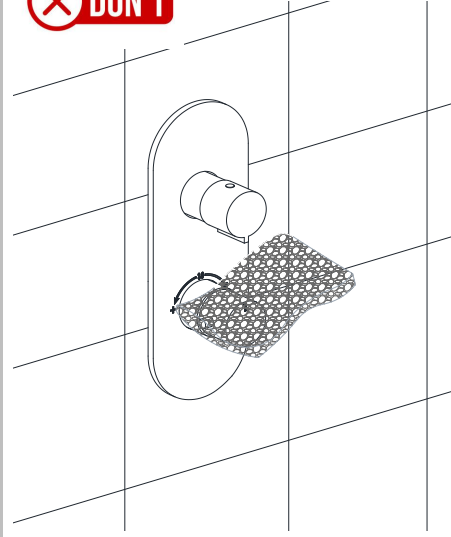


✗ DON'T

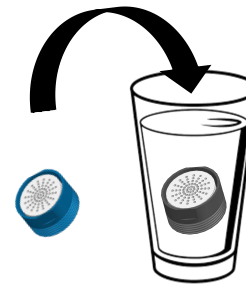


✗ DON'T

Don't apply Scrub



Steps & Cleaning agents requirements for Aerator Cleaning.



Aerator

1 hour Dip



De-Scale Water



Liquid Soap
PH-5-7