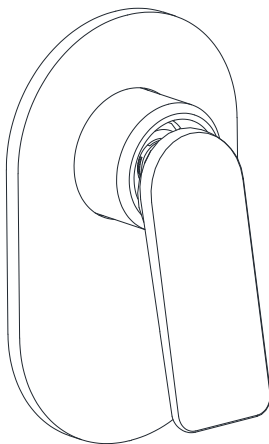
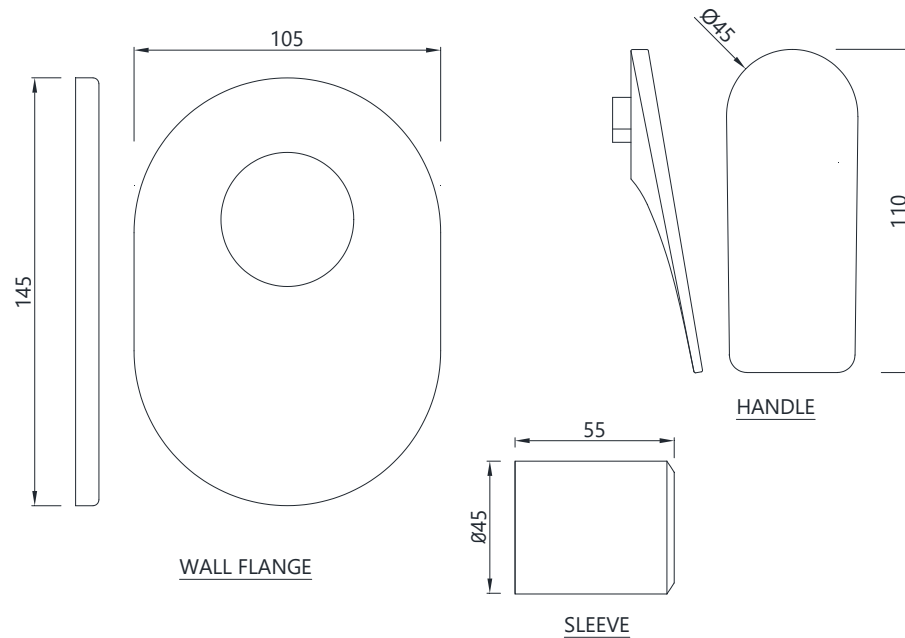




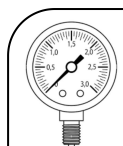
LAG-91227



TECHNICAL DRAWING



TEMP.& WATER PRESSURE REQUIREMENTS

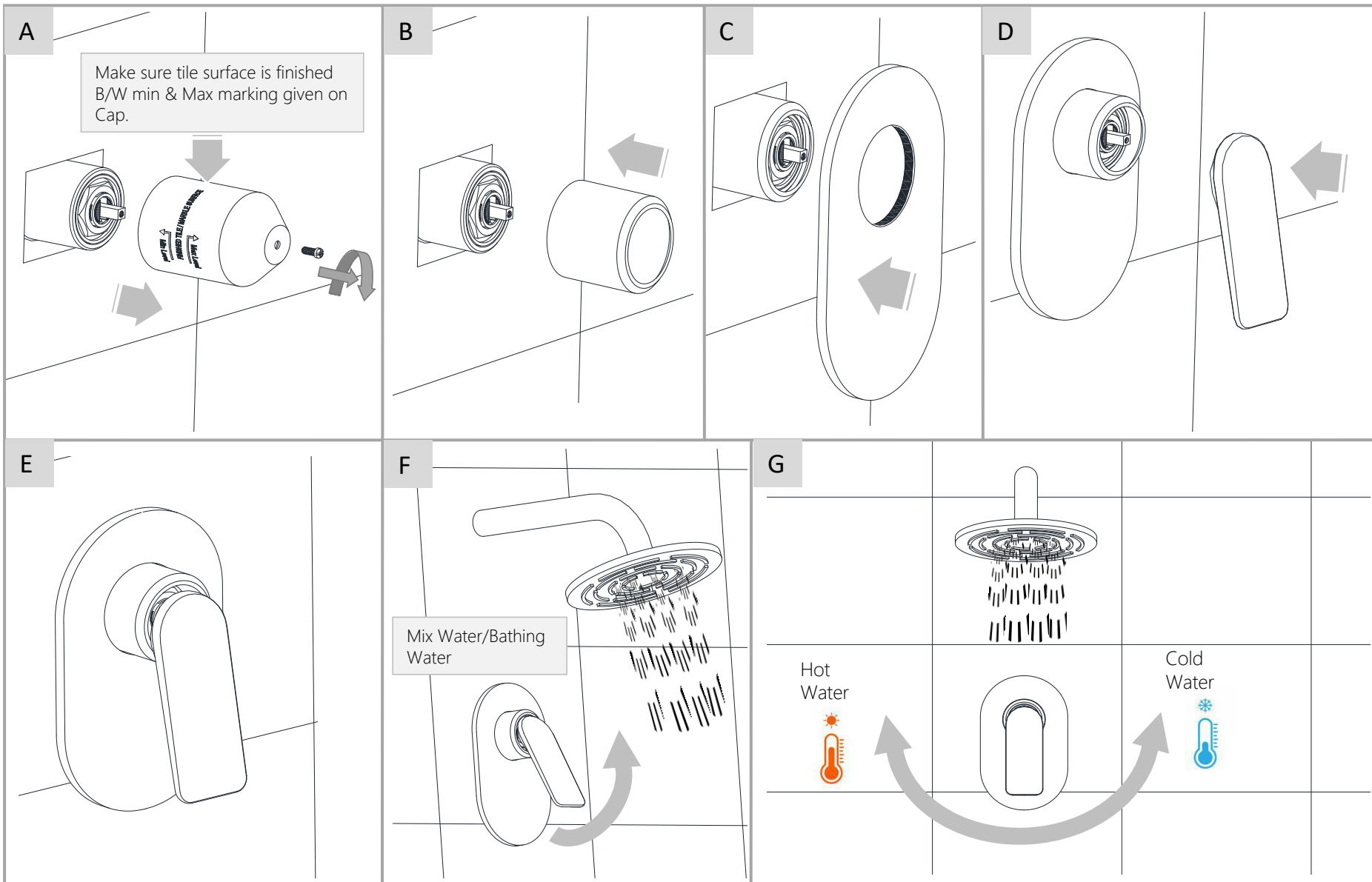


Working Pressure: 1~3 bar



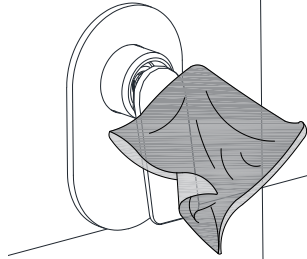
Required Temperature: 5-65°C

Note: Above values are the recommended values for Getting Conventional Outputs.

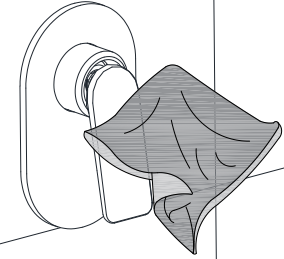




Apply soft cotton cloth



Apply soft cotton cloth

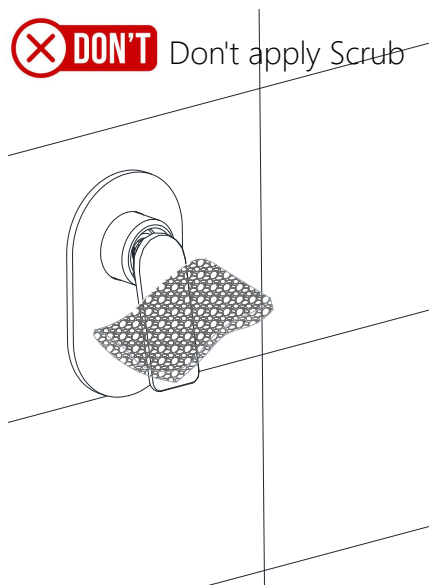


✗ DON'T

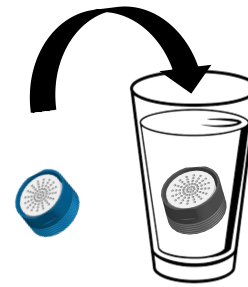


✗ DON'T

Don't apply Scrub



Steps & Cleaning agents requirements for Aerator Cleaning.



Aerator

1 hour Dip



De-Scale Water



Liquid Soap
PH-5-7