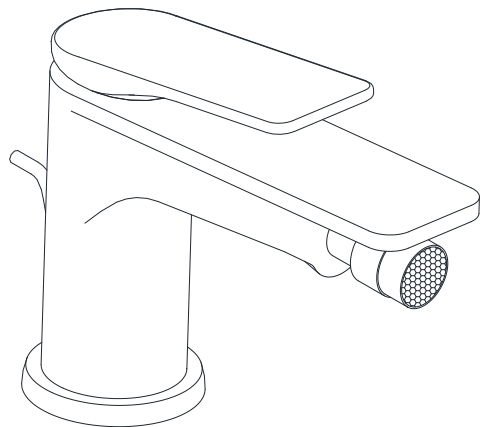




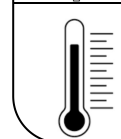
LAG-91213B



TEMP. & WATER PRESSURE REQUIREMENTS



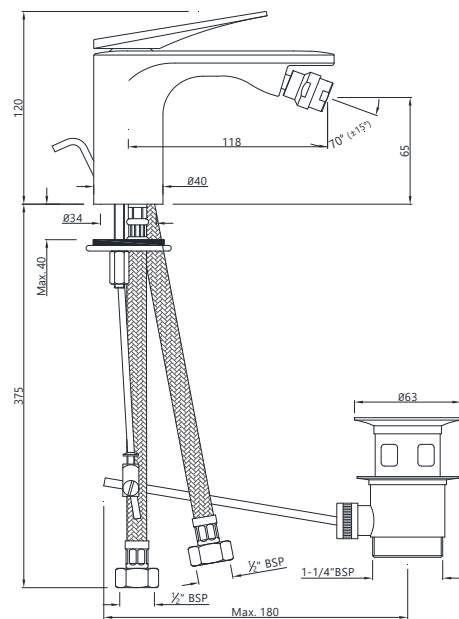
Working Pressure: 1~3 bar



Required Temperature: 5-65°C

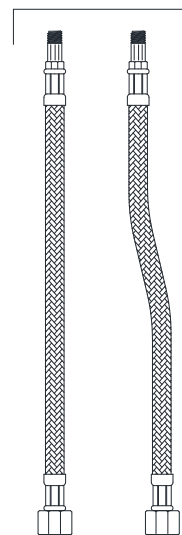
Note: Above values are the recommended values for Getting Conventional Outputs.

TECHNICAL DRAWING

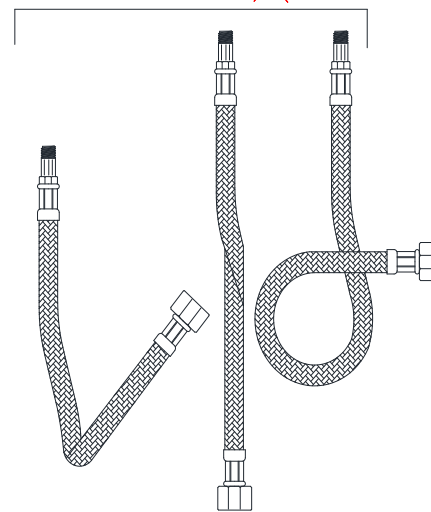


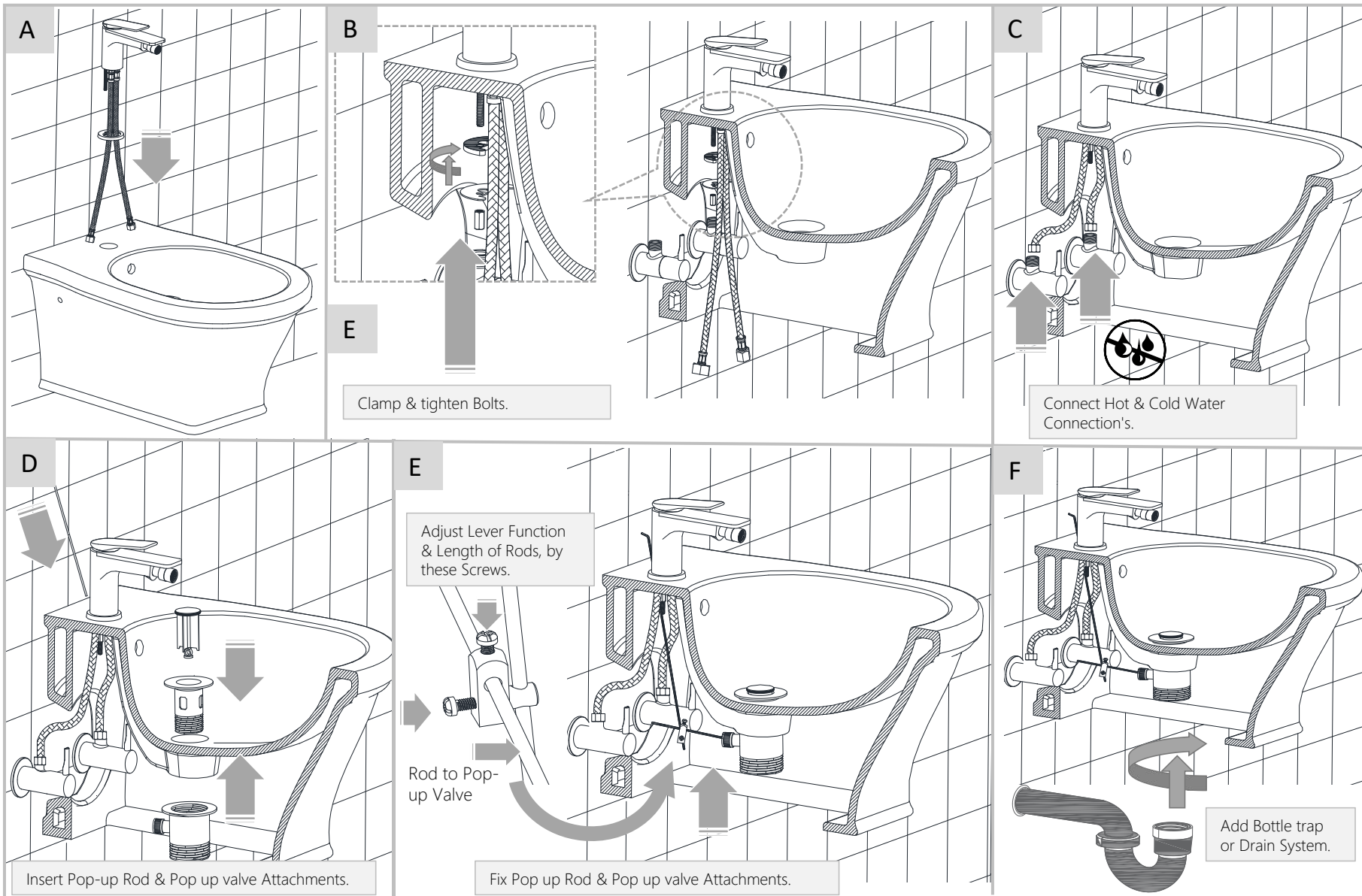
TAKE CARE DURING CONNECTION'S

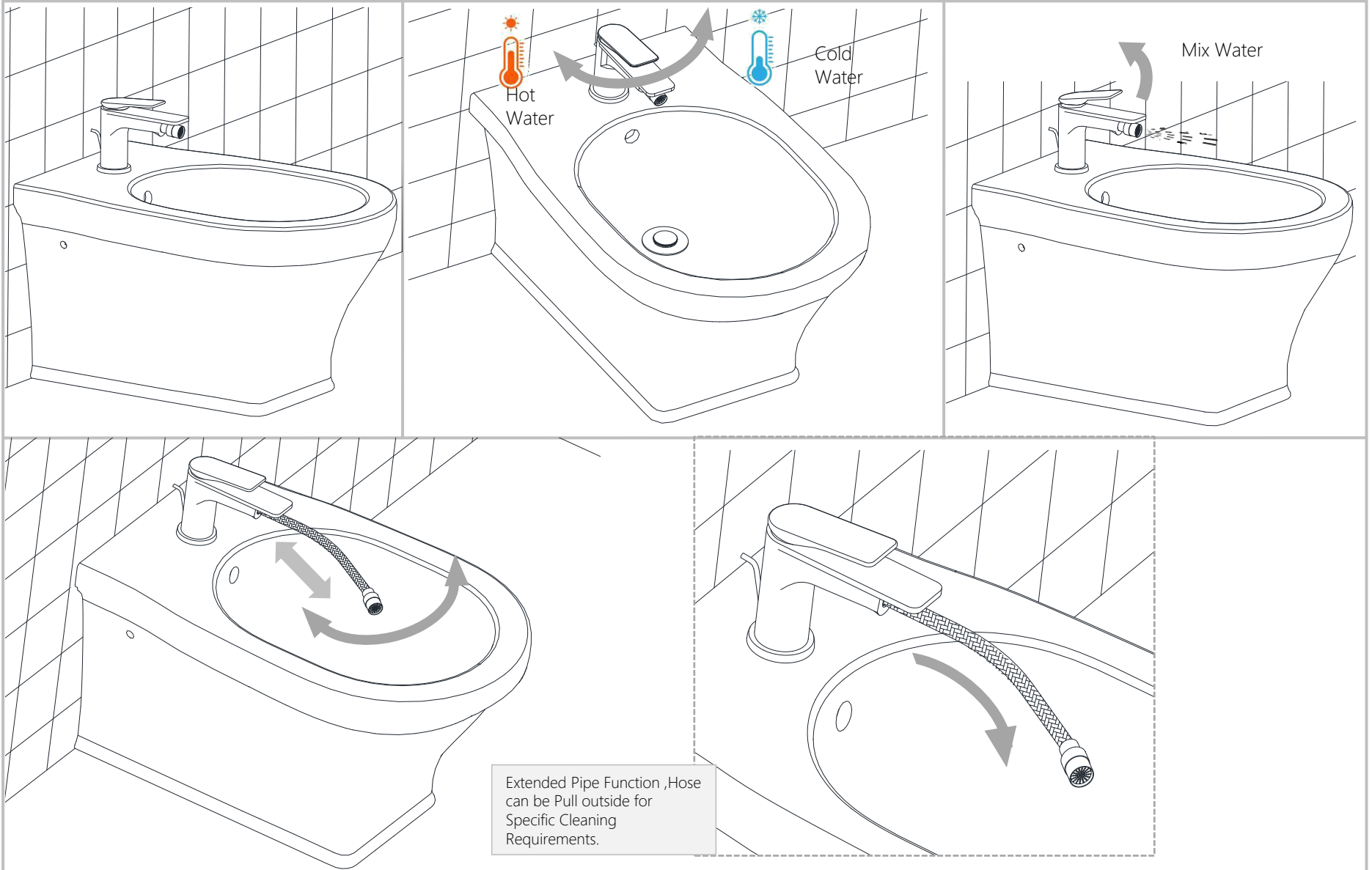
DO ✓



DON'T ✗









Apply soft cotton cloth



Apply soft cotton cloth

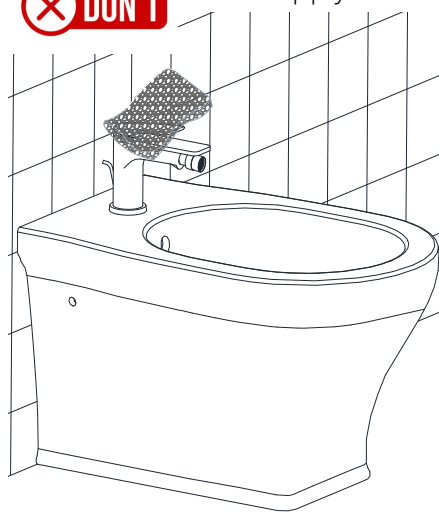


✗ DON'T



✗ DON'T

Don't apply Scrub



Steps & Cleaning agents requirements for Aerator Cleaning.

