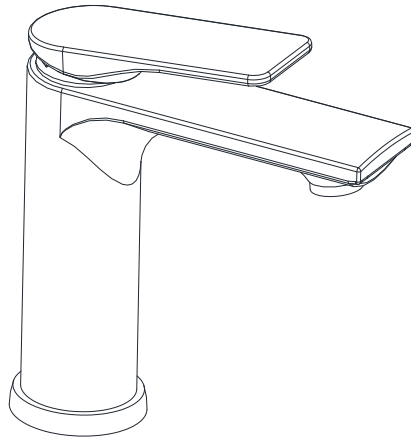
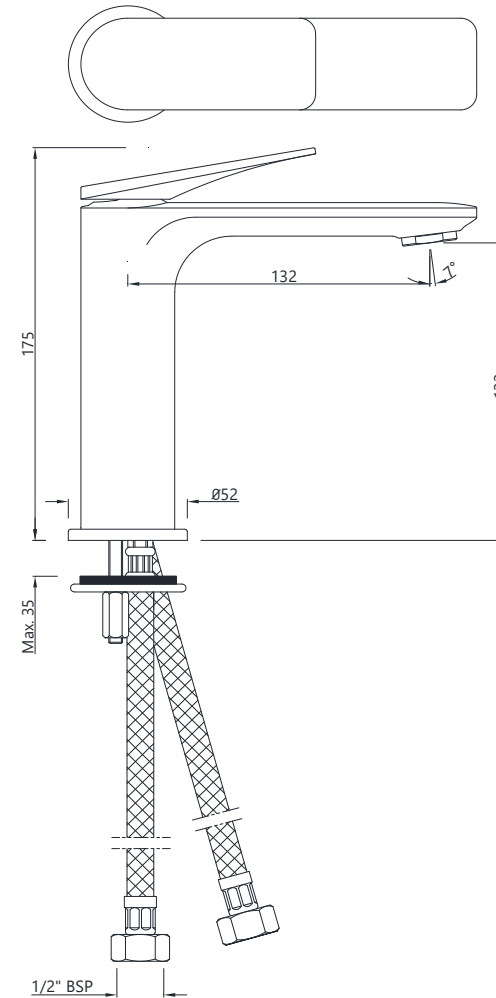




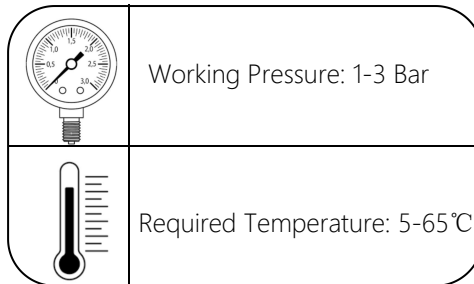
LAG-91023BWF



TECHNICAL DRAWING

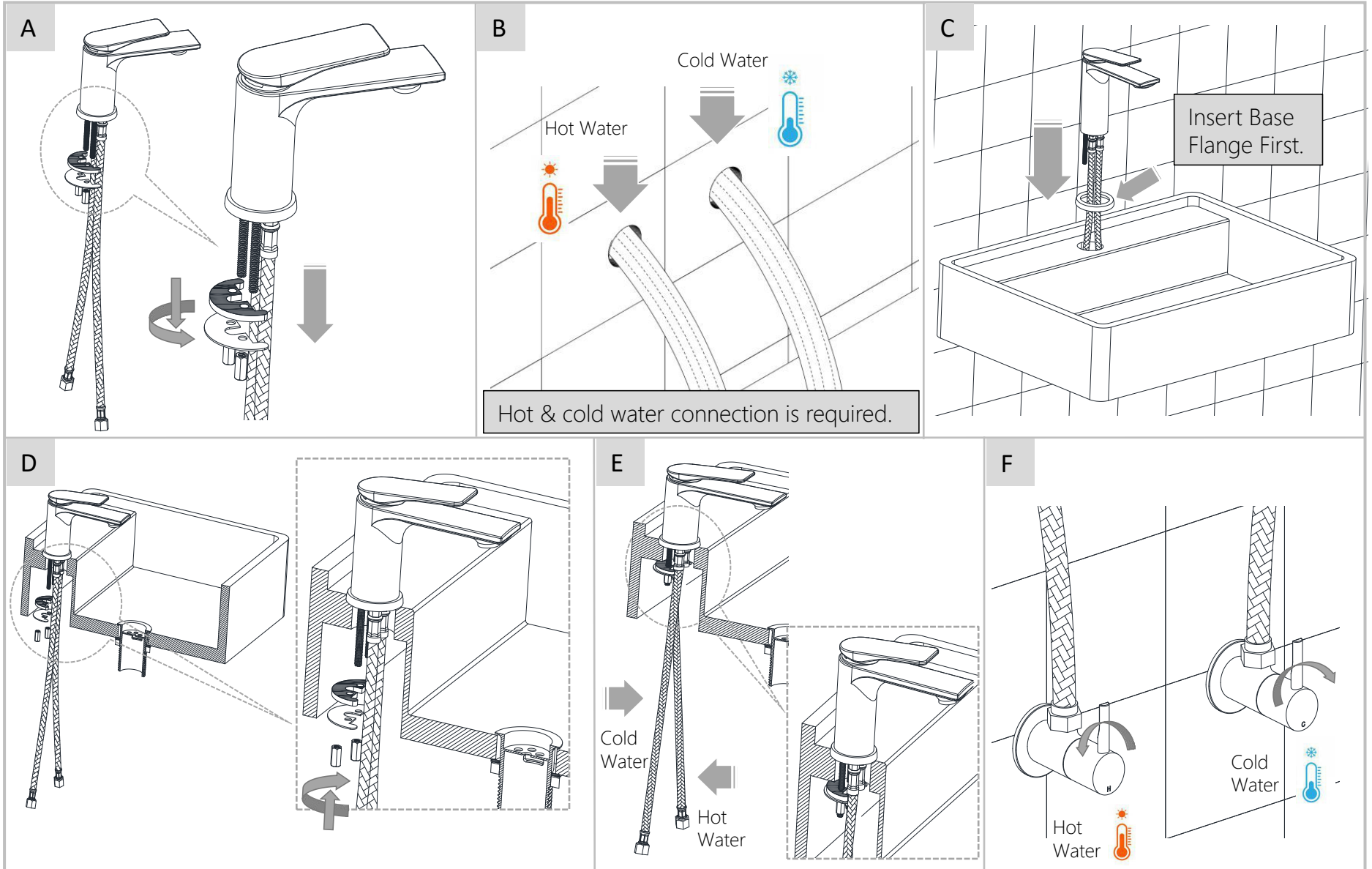


TEMP.& WATER PRESSURE REQUIREMENTS



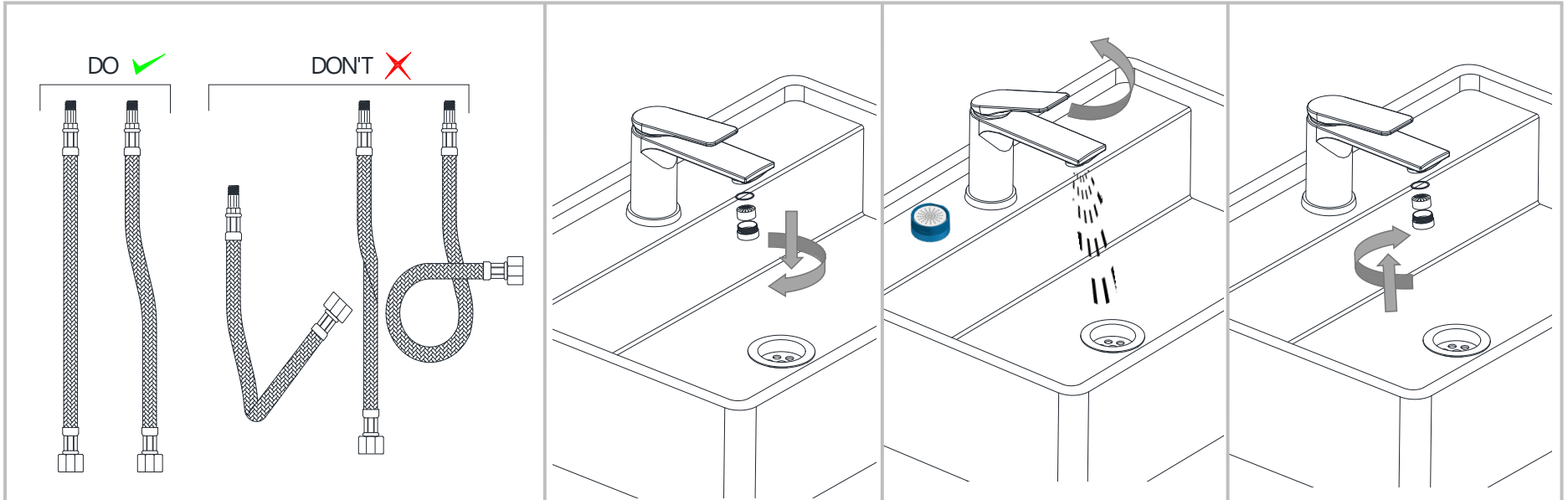
Note: Above values are the recommended values for Getting Conventional Outputs.

HOW TO INSTALL (Basin Mixer W/O Pop up)

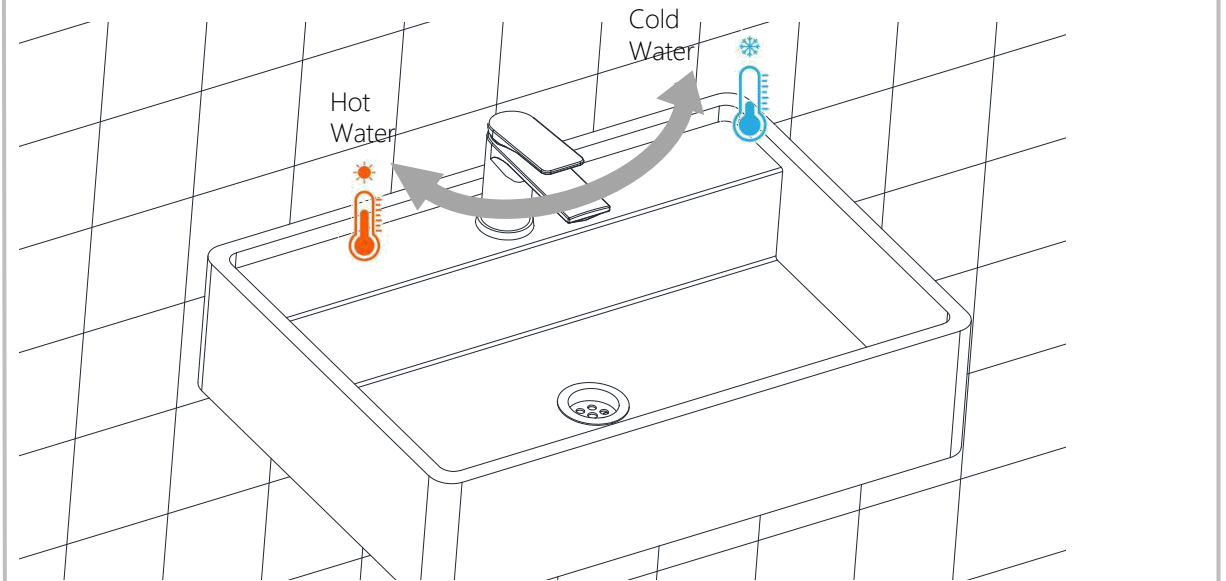
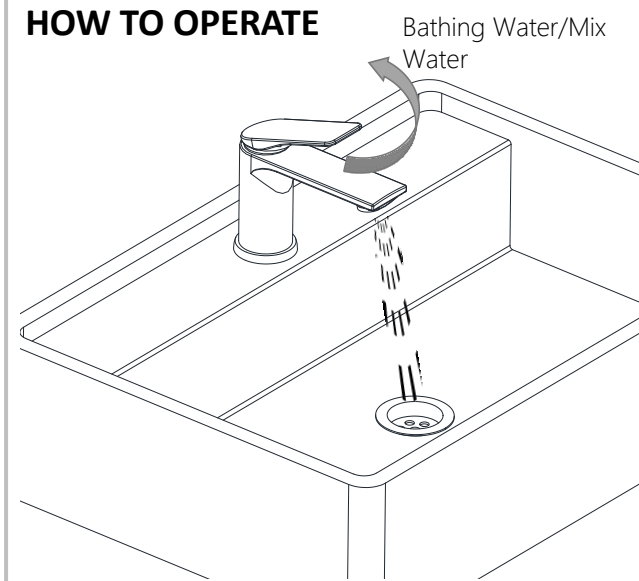


Note: This Installation Method is applicable for Single Lever Basin Mixer without Pop up Waste.

HOW TO OPERATE

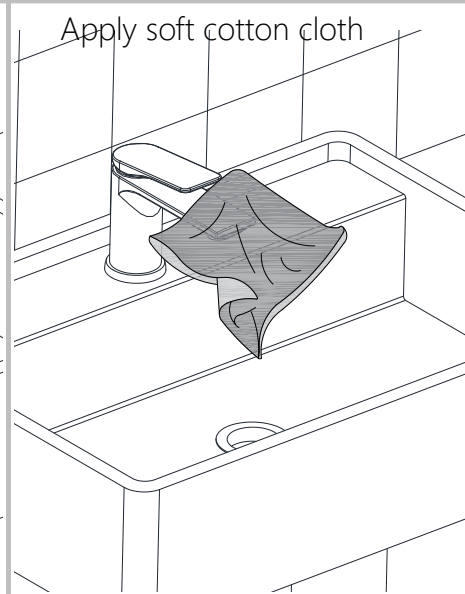


HOW TO OPERATE

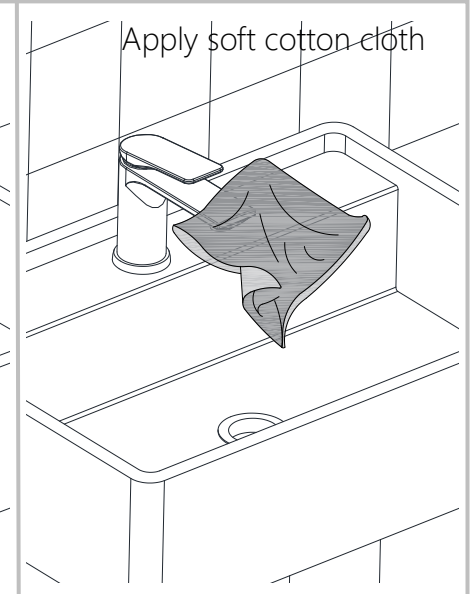




Apply soft cotton cloth



Apply soft cotton cloth



✗ DON'T

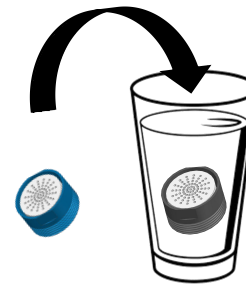


✗ DON'T

Don't apply Scrub



Steps & Cleaning agents requirements for Aerator Cleaning.



Aerator

1 hour Dip



De-SCALE Water



Liquid Soap
PH-5-7