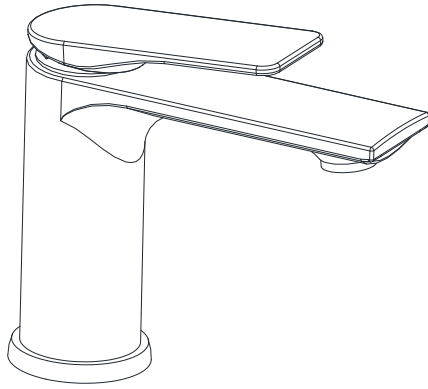
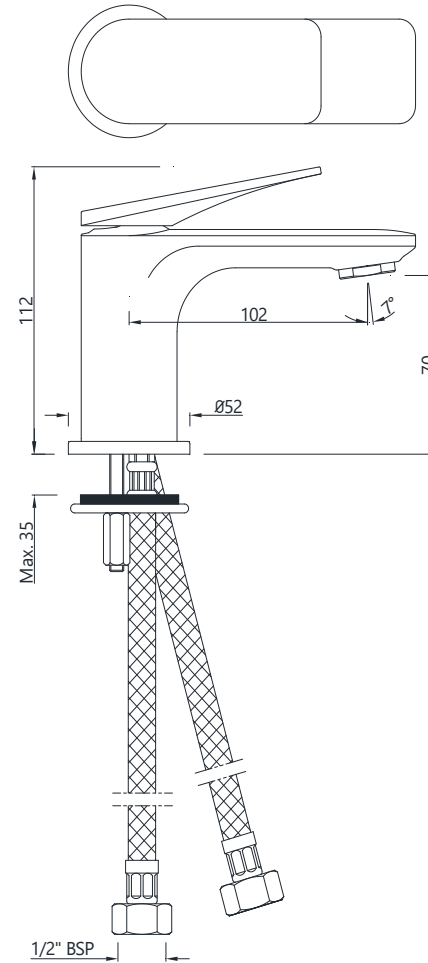




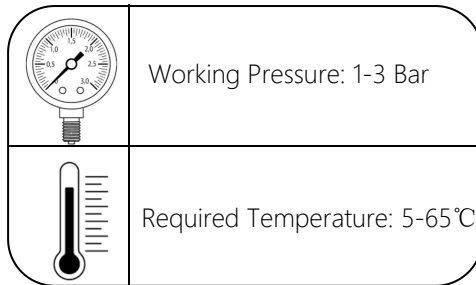
## LAG-91011BWF



## TECHNICAL DRAWING

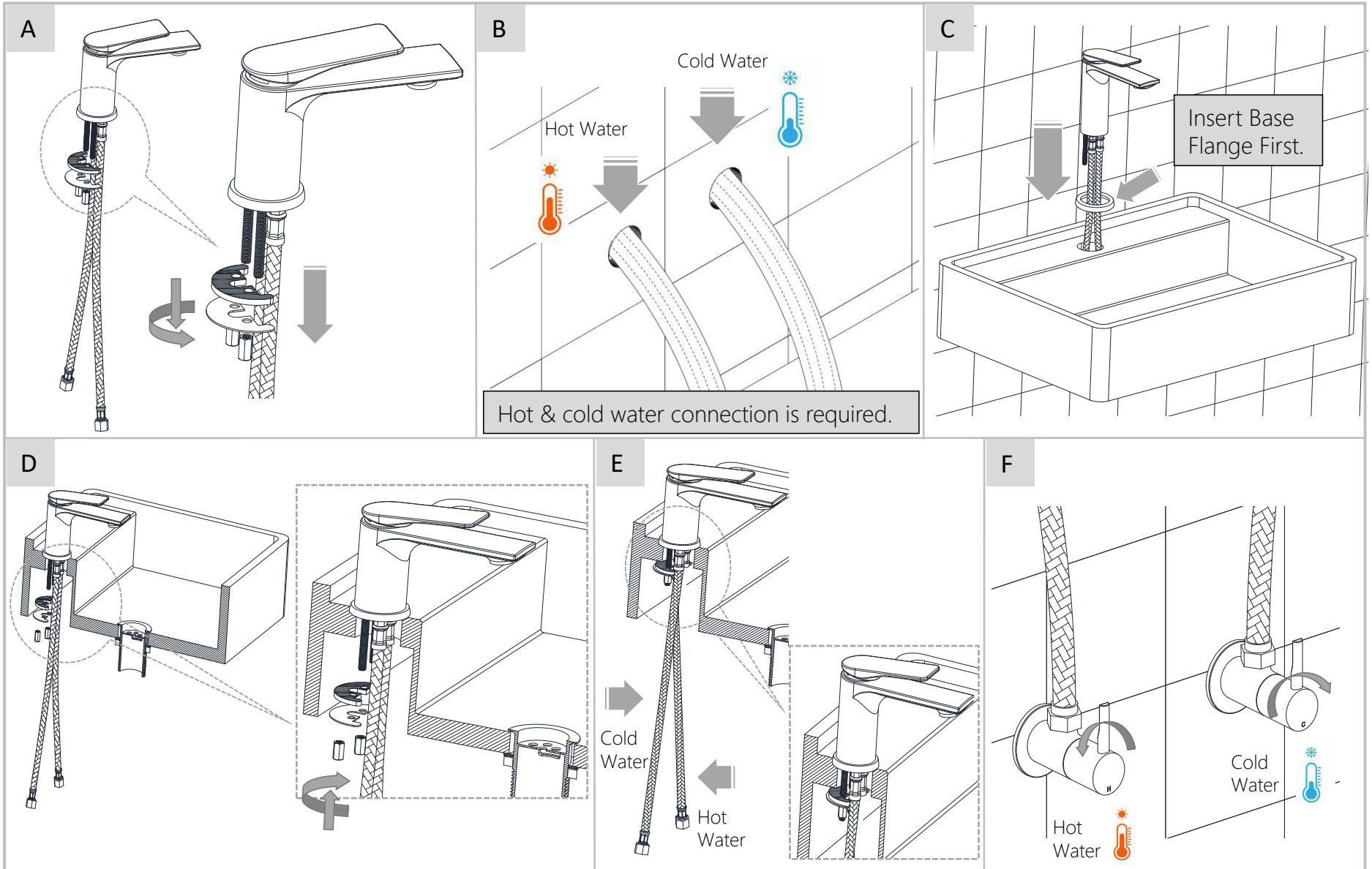


## TEMP.&amp; WATER PRESSURE REQUIREMENTS



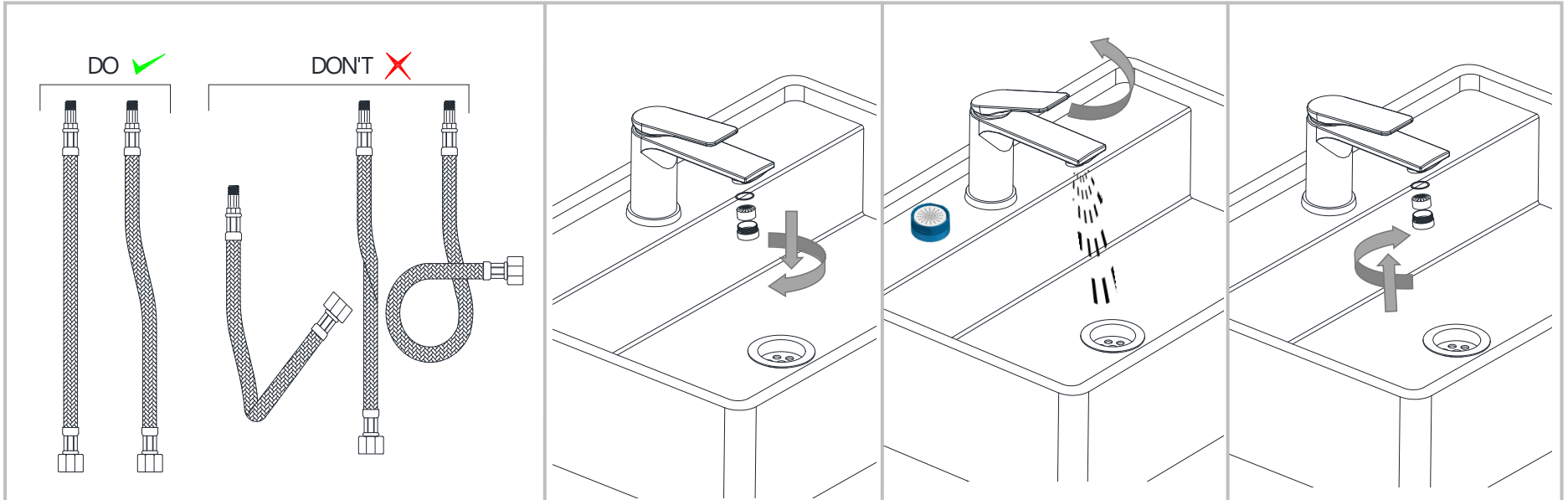
Note: Above values are the recommended values for Getting Conventional Outputs.

# HOW TO INSTALL (Basin Mixer W/O Pop up)

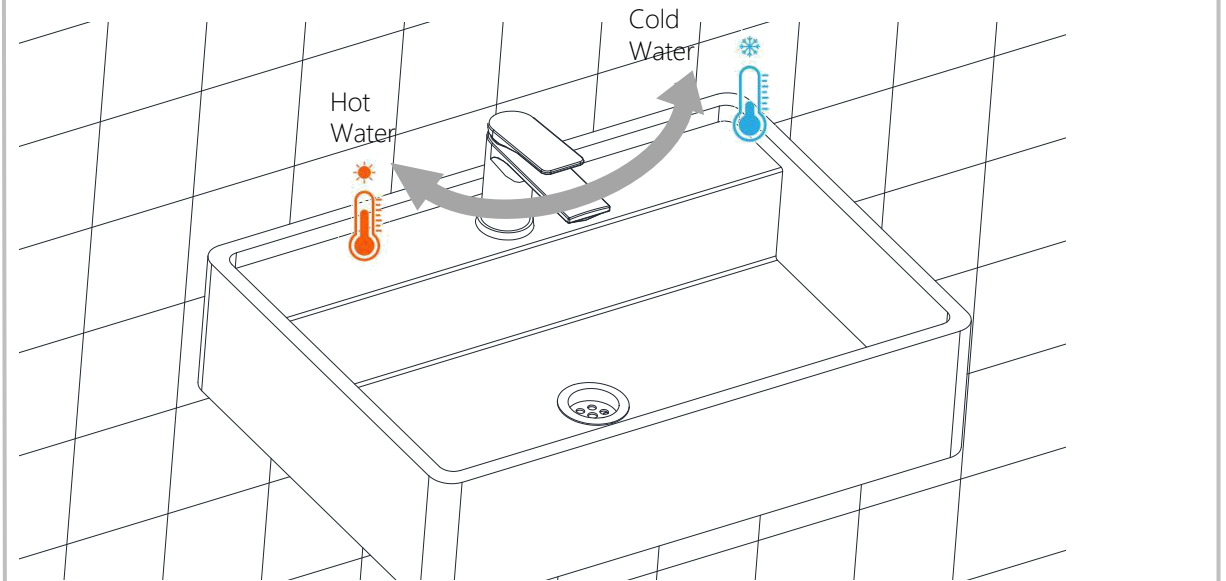
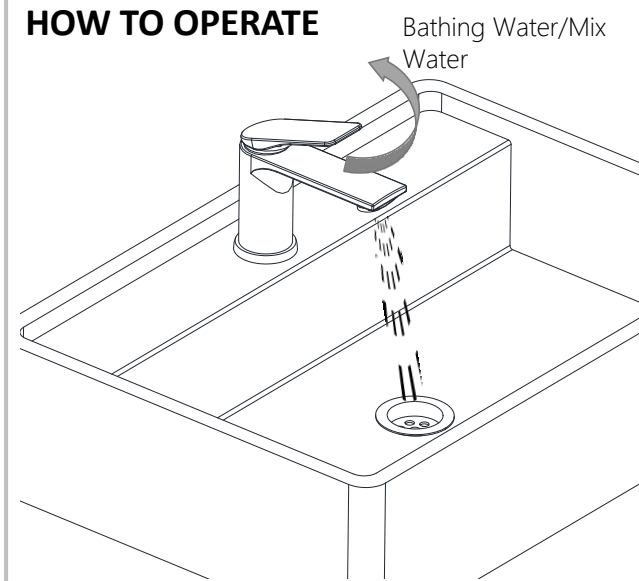


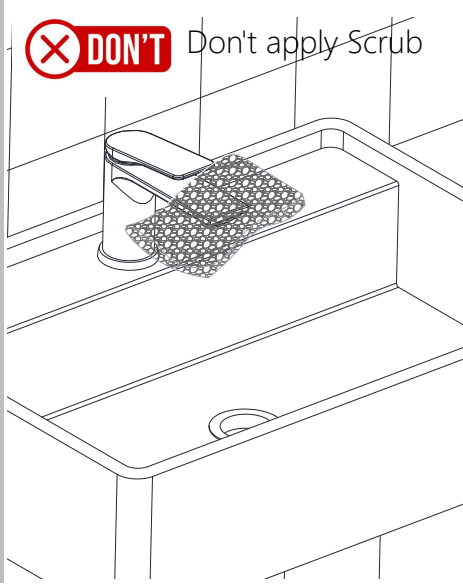
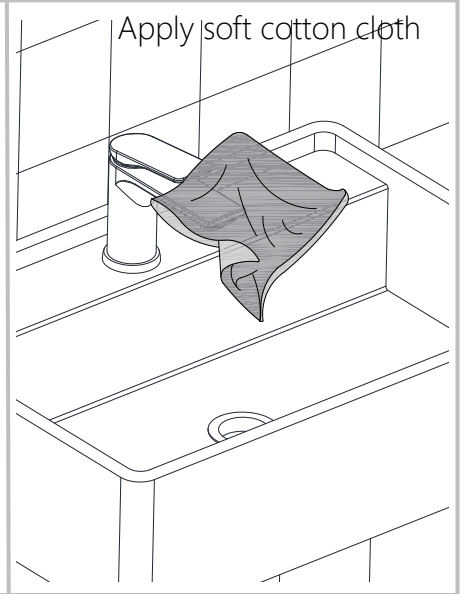
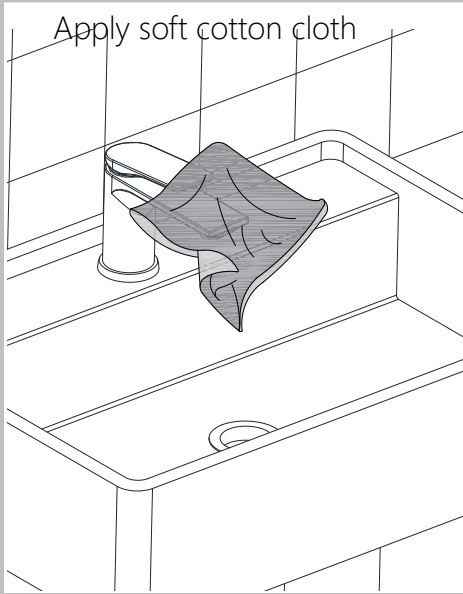
Note: This Installation Method is applicable for Single Lever Basin Mixer without Pop up Waste.

## HOW TO OPERATE



## HOW TO OPERATE





Steps & Cleaning agents requirements for Aerator Cleaning.

