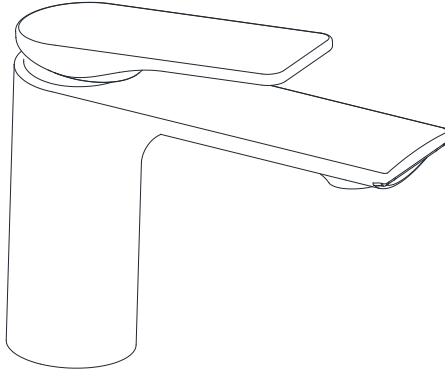
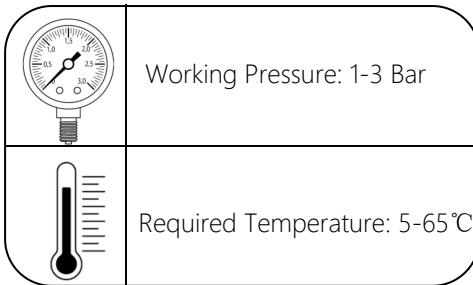




LAG-91011B

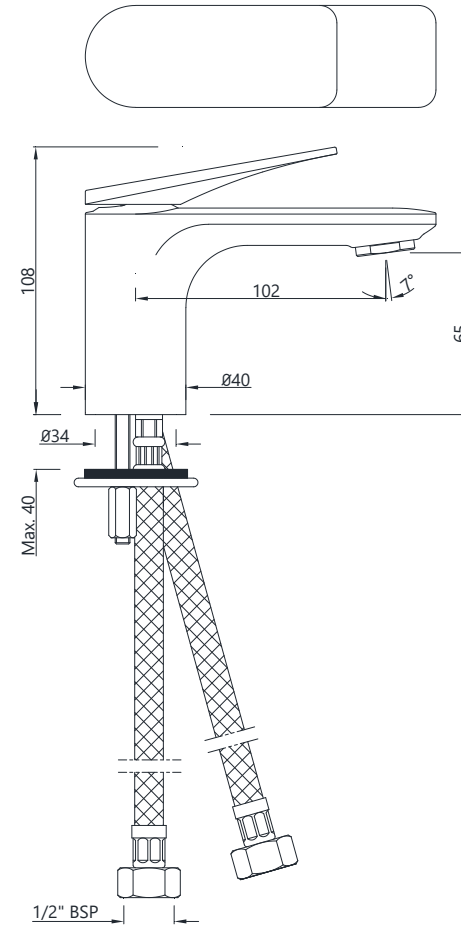


TEMP. & WATER PRESSURE REQUIREMENTS

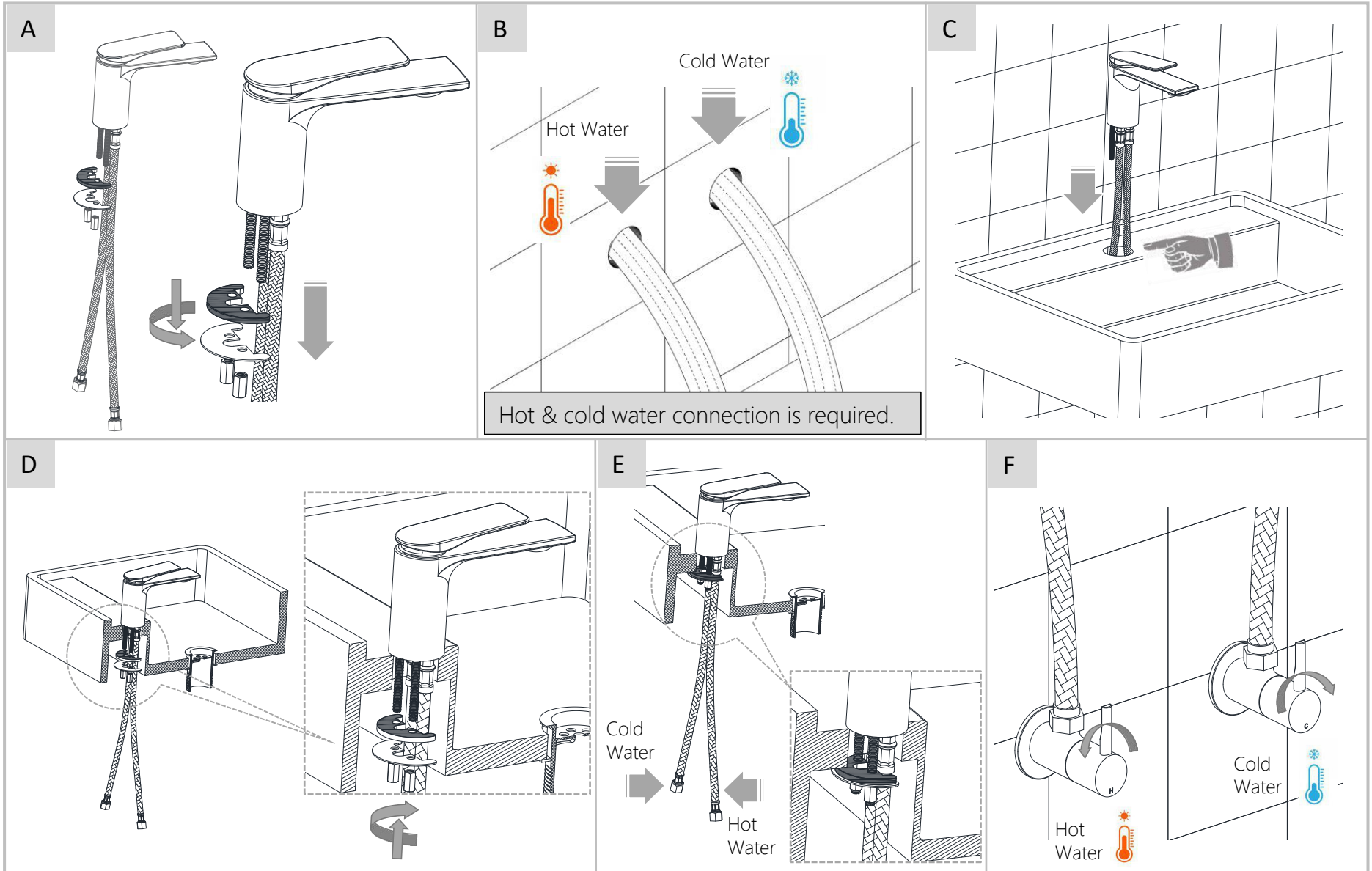


Note: Above values are the recommended values for Getting Conventional Outputs.

TECHNICAL DRAWING

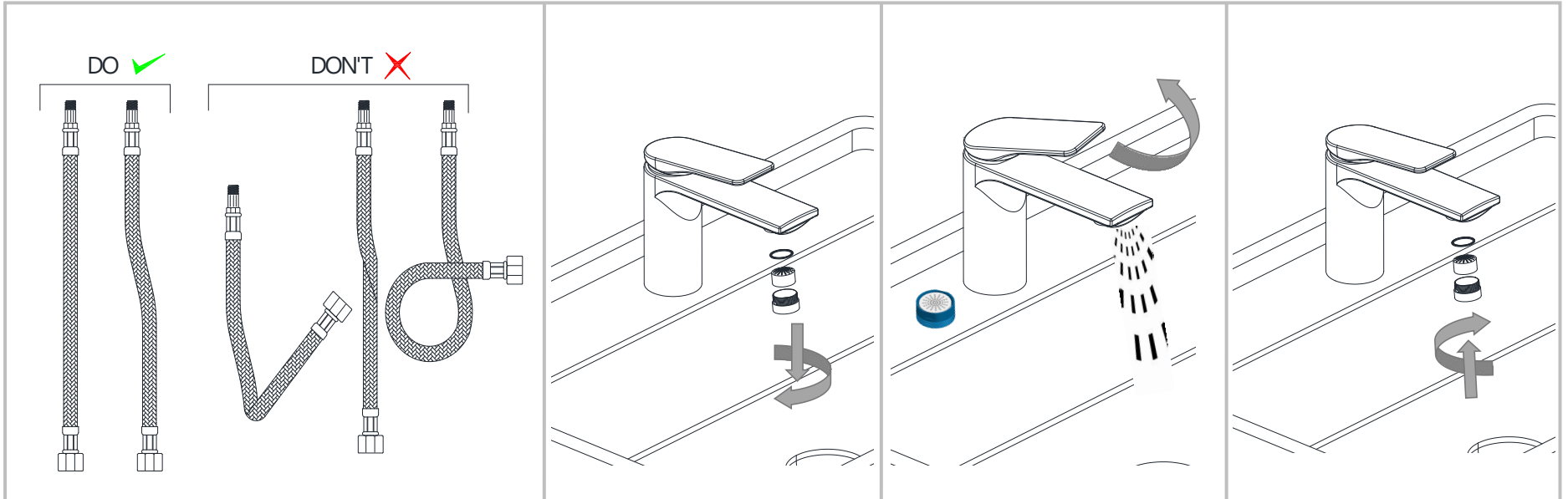


HOW TO INSTALL (Basin Mixer W/O Pop up)

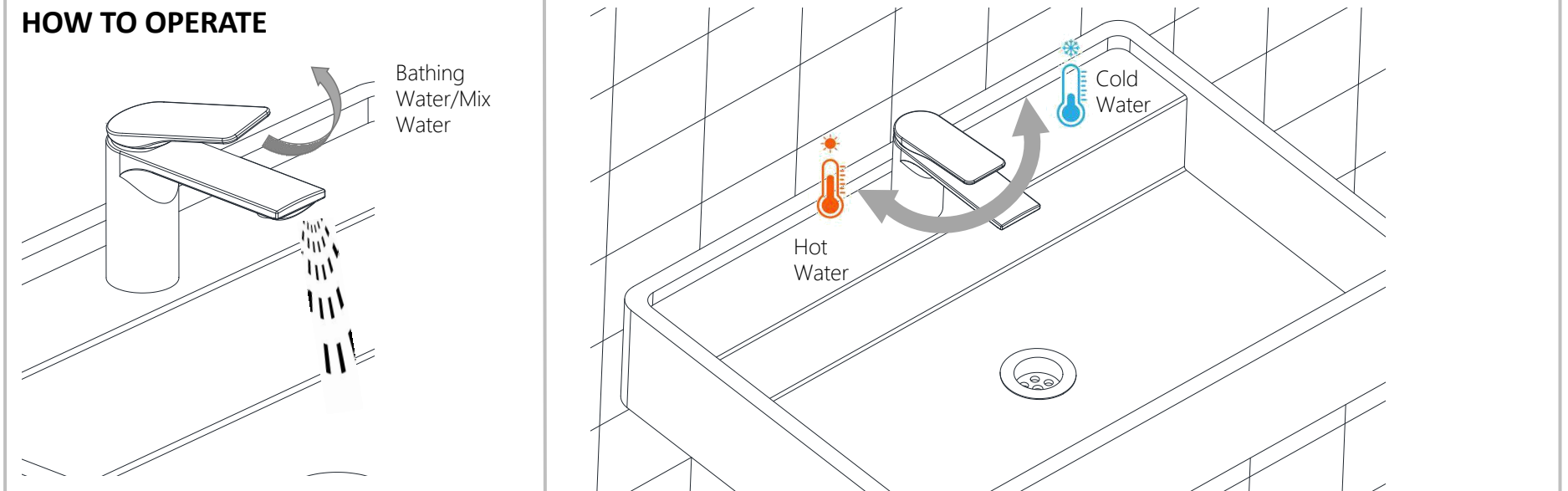


Note: This Installation Method is applicable for Single Lever Basin Mixer without Pop up Waste.

HOW TO OPERATE

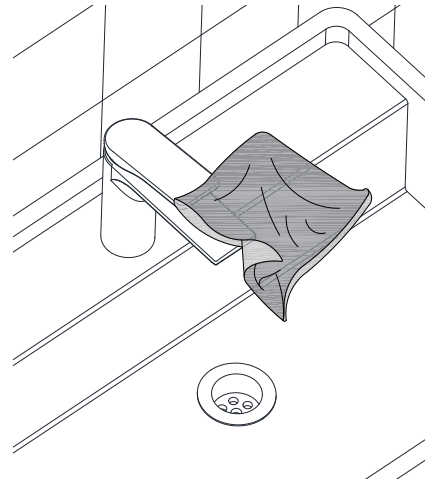


HOW TO OPERATE

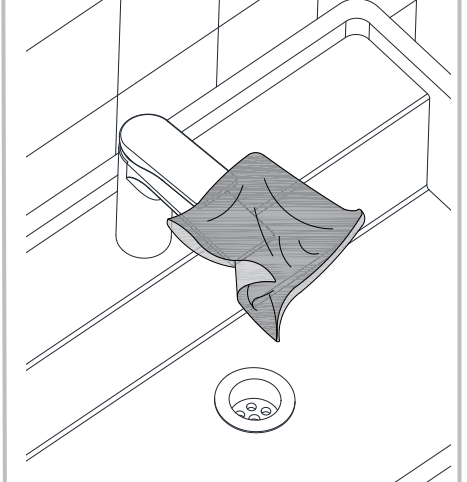




Apply soft cotton cloth



Apply soft cotton cloth

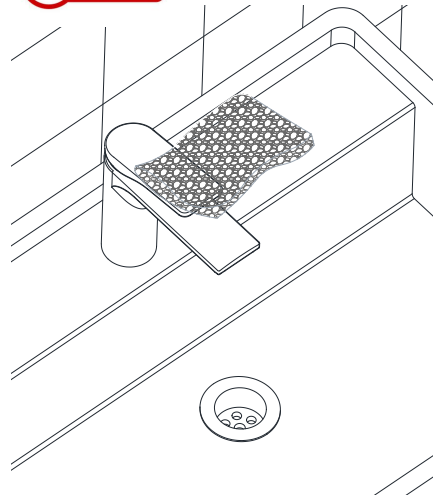


✗ DON'T



✗ DON'T

Don't apply Scrub



Steps & Cleaning agents requirements for Aerator Cleaning.

