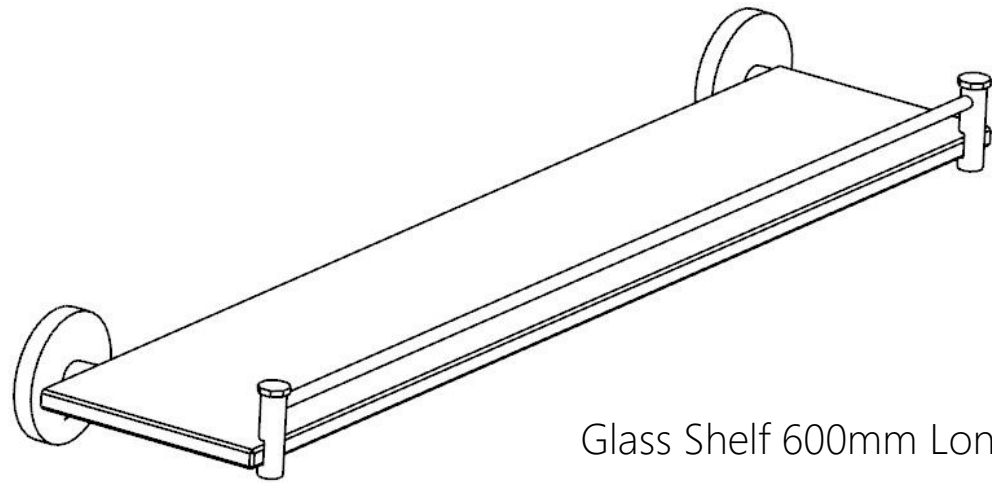


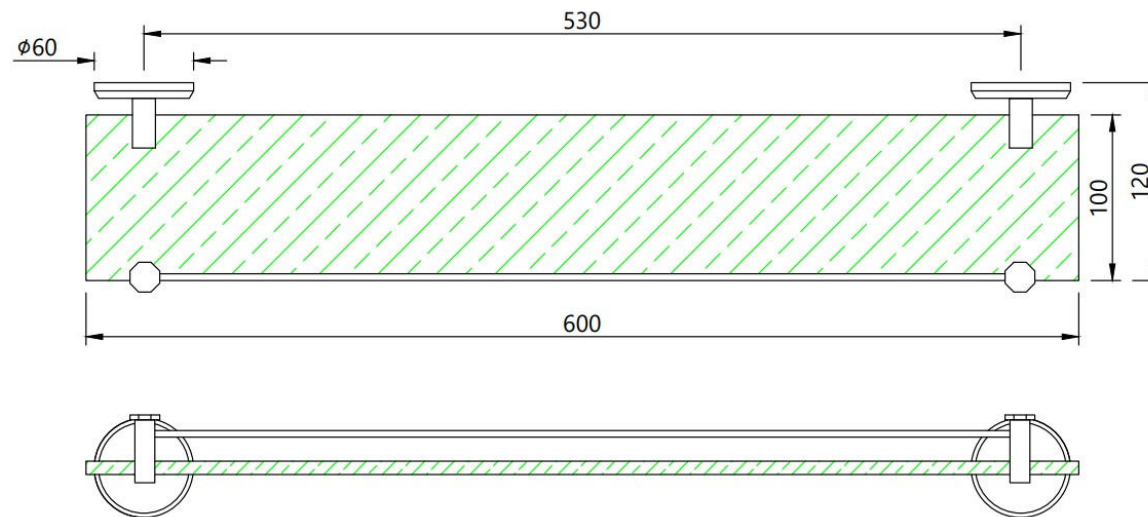
PRODUCT INFORMATION

CPA-1171

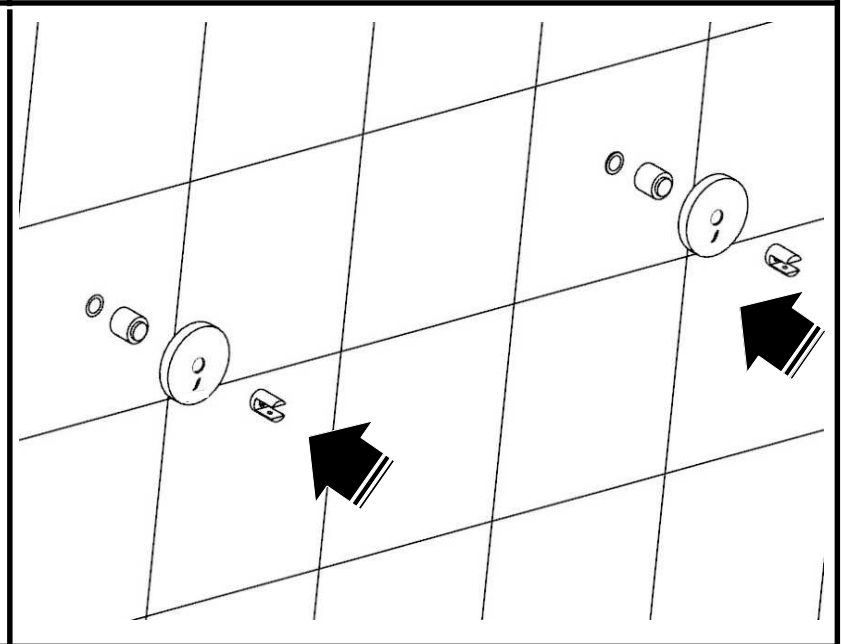
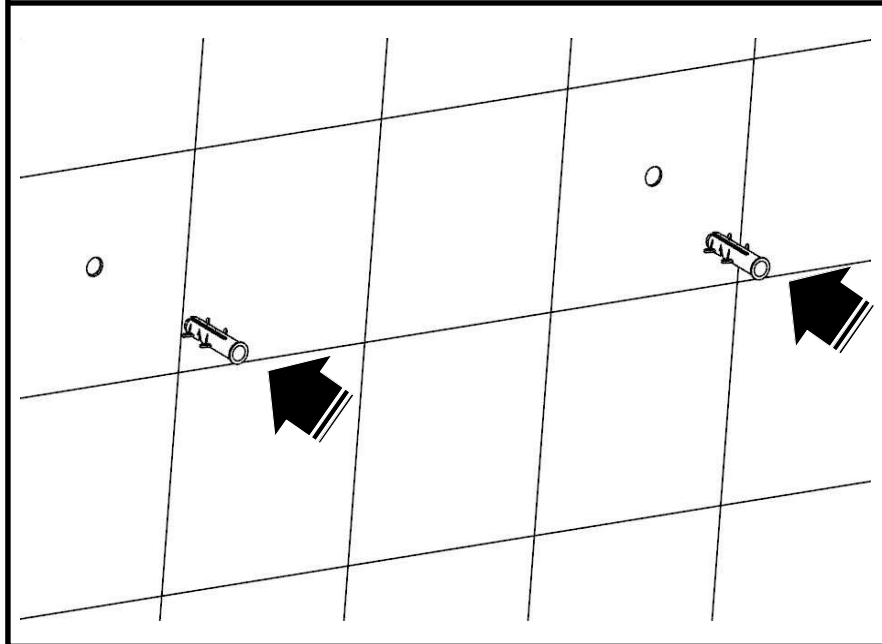
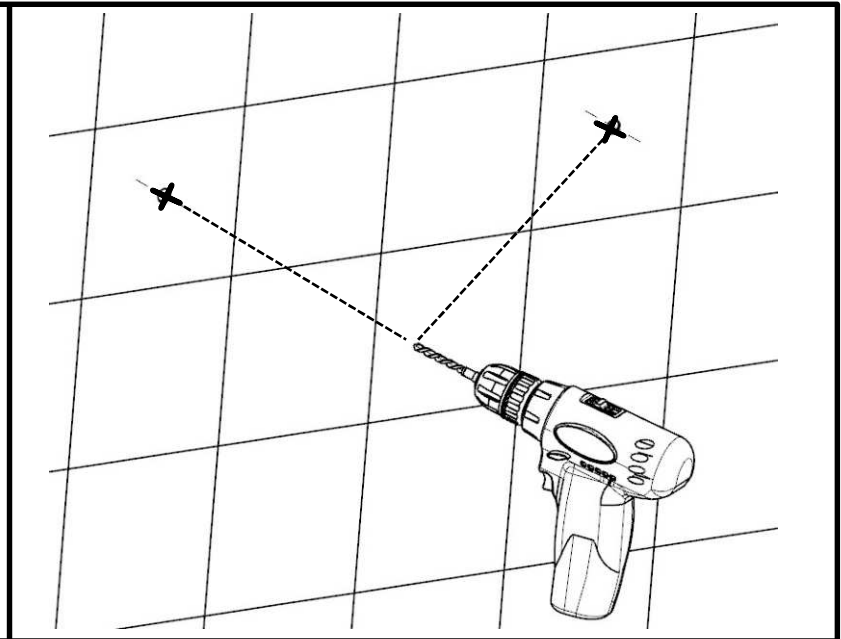
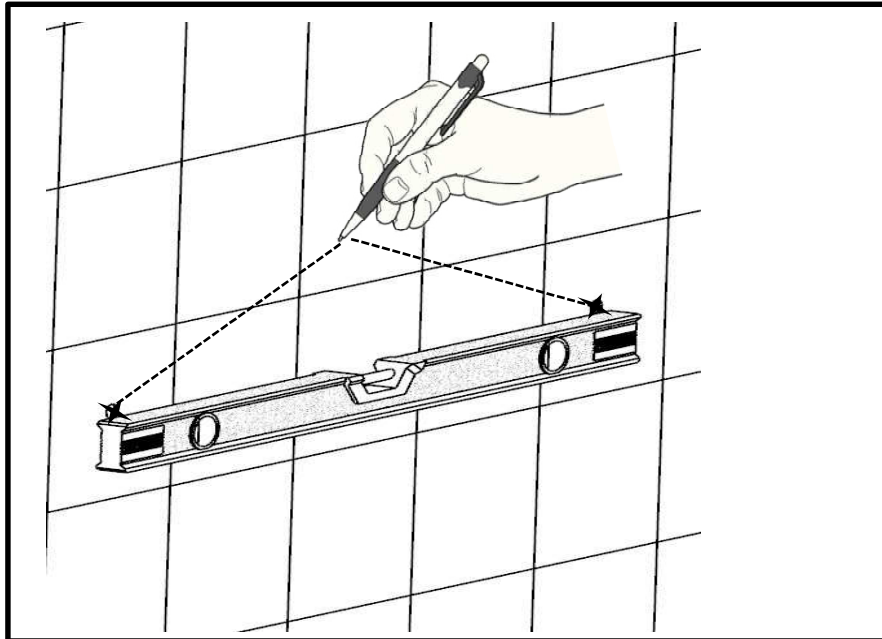


Glass Shelf 600mm Long

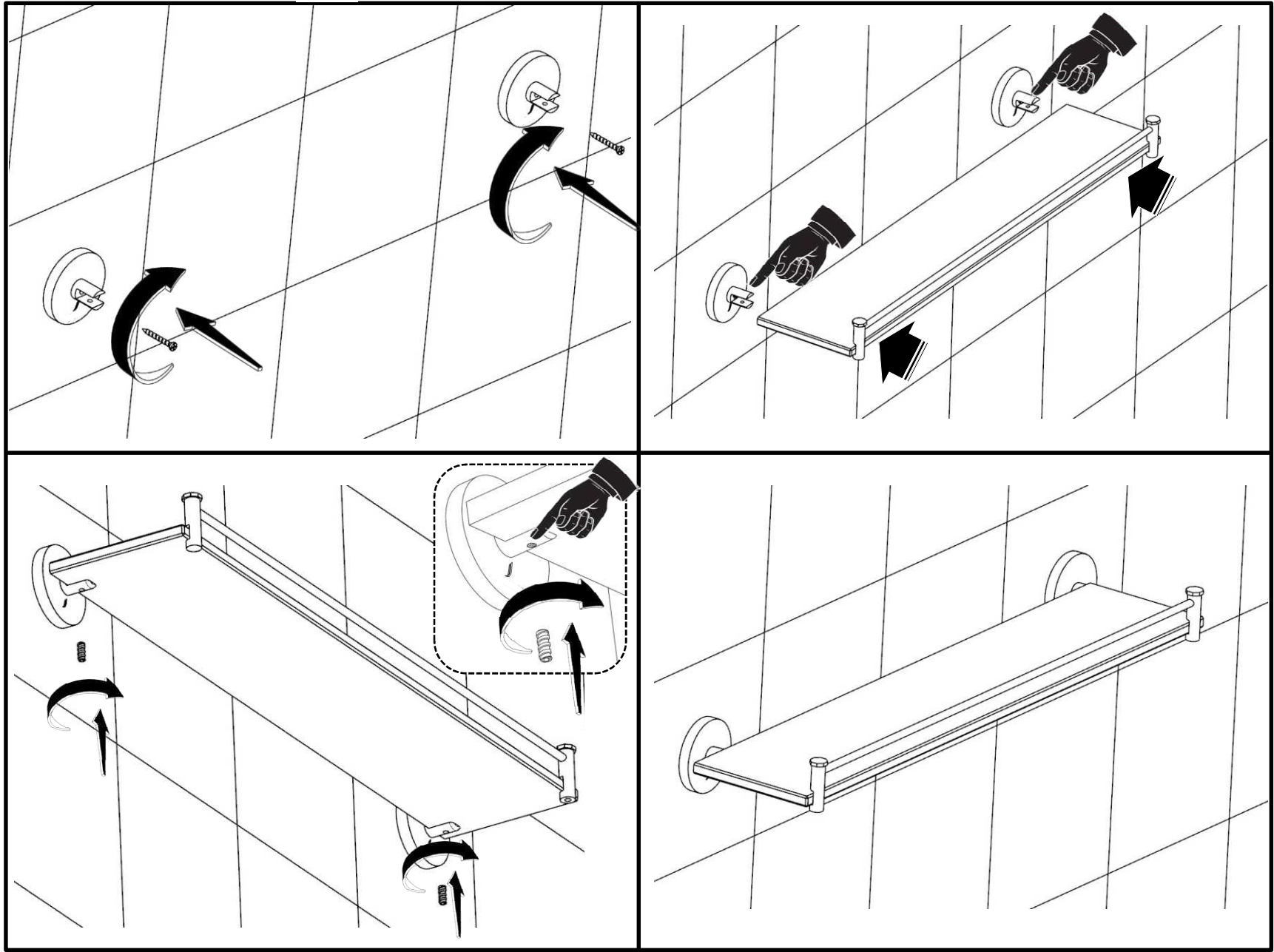
TECHNICAL DRAWING



HOW TO INSTALL 



HOW TO INSTALL 



CLEANING INSTRUCTIONS

