

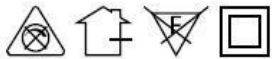
STRELLA SMART 22W

Strella Smart LED Panel Light with Microwave Sensor

Indoor Luminaire

Product Code:

LSTS01R022XC / LSTS01R022XN / LSTS01R022XW
22W - 1980lm - 6500K - CRI>75 Ra - Beam Angle 120°



Technical Specifications

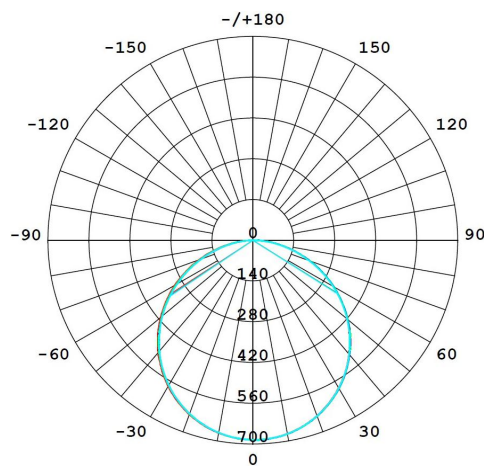
Operating Temperature	-10°C to 40°C
Rated Input Voltage & Frequency	220 ~ 240 VAC, 50Hz
Rated Input Wattage	22W ± 10%
Rated Input Current	0.110 Amp (Nominal)
Power Factor	≥0.90
ATHD	<15%
Rated Luminous Flux	1980 lm / 1870 lm / 1760 lm (tolerance as per BIS)
Rated Luminaire Efficacy	90 lm/W / 85 lm/W / 80 lm/W (tolerance as per BIS)
Correlated Color Temperature (CCT)	6500 K / 4000 K / 3000 K (tolerance as per ANSI)
Color Rendering Index (CRI)	>75 Ra
Beam Angle	120° (within the permissible limits)
Driver Efficiency	>80%
LED Life Span	>50000 Hrs (Ta=25°C @L70)
Housing	Polycarbonate
Lens / Reflector	PC. Diffuser
Mounting	Recessed

Protections

Over Voltage Protection	Withstand upto 440V/AC for 4 Hrs.
Surge Protection	±4.0KV
Protection Class	Class II
Ingress Protection (IP Rating)	IP20
Impact Protection (IK Rating)	IK02
Short Circuit Protection	Provided
Open Circuit Protection (No Load)	Provided
Reverse Polarity Protection	Provided
Sensor coverage distance	5 meter.
Smart Features	Light Trun On in presence of Motion and will trun off after 2min. (if no movement). If No motion brightness will be 0%.

All technical data is subject to industry-standard tolerances.

Light Distribution

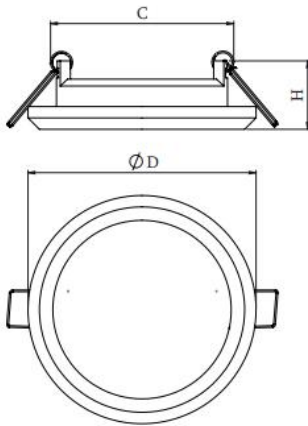


UGR Table

ceiling/cavity	0.7	0.7	0.5	0.5	0.3	0.7	0.7	0.5	0.5	0.3
walls	0.5	0.3	0.5	0.3	0.3	0.5	0.3	0.5	0.3	0.3
working plane	0.2	0.2	0.2	0.2	0.2	0.2	0.2	0.2	0.2	0.2
Room dimensions	Viewed crosswise					Viewed endwise				
x = 2H y = 2H	23.8	25.3	24.1	25.5	25.7	23.8	25.3	24.0	25.5	25.7
3H	25.4	26.8	25.7	27.1	27.3	25.4	26.8	25.7	27.0	27.3
4H	26.1	27.5	26.4	27.7	28.0	26.0	27.4	26.4	27.6	27.9
6H	26.7	27.9	27.0	28.2	28.5	26.5	27.8	26.9	28.1	28.4
8H	26.8	28.1	27.2	28.4	28.7	26.7	28.0	27.1	28.2	28.5
12H	27.0	28.2	27.3	28.5	28.8	26.8	28.0	27.2	28.3	28.6
4H 2H	24.4	25.8	24.7	26.0	26.3	24.4	25.8	24.7	26.0	26.3
3H	26.3	27.5	26.6	27.7	28.1	26.2	27.4	26.6	27.7	28.0
4H	27.1	28.2	27.5	28.5	28.8	27.0	28.1	27.4	28.4	28.8
6H	27.8	28.7	28.2	29.1	29.5	27.7	28.6	28.1	29.0	29.4
8H	28.0	28.9	28.4	29.3	29.7	27.9	28.8	28.3	29.2	29.6
12H	28.2	29.1	28.7	29.4	29.8	28.1	28.9	28.5	29.3	29.7
8H 4H	27.4	28.3	27.8	28.7	29.1	27.3	28.2	27.8	28.6	29.0
6H	28.3	29.0	28.7	29.4	29.8	28.2	28.9	28.6	29.3	29.7
8H	28.6	29.3	29.1	29.7	30.2	28.5	29.2	28.9	29.6	30.0
12H	28.9	29.5	29.4	29.9	30.4	28.7	29.3	29.2	29.8	30.2
12H 4H	27.4	28.3	27.9	28.6	29.0	27.4	28.2	27.8	28.6	29.0
6H	28.3	29.0	28.8	29.4	29.9	28.2	28.9	28.7	29.3	29.8
8H	28.8	29.3	29.2	29.8	30.3	28.6	29.2	29.1	29.6	30.1
Variations with the observer position at spacings (CIE Pub.117) :										
S = 1.0H	+ 0.1 / - 0.2					+ 0.1 / - 0.2				
1.5H	+ 0.2 / - 0.3					+ 0.2 / - 0.3				
2.0H	+ 0.1 / - 0.3					+ 0.1 / - 0.3				

Product Dimensions (Dia. x H)

Ø220 x 35 mm (Tol. ± 5 mm), Cutout Size Ø205 mm



Applications

Residences, Offices, Small Retail Shops, Hotels, Coffee Shops, Restaurants, Hospitals, area lighting and for other indoor applications.